



CHAPTER OVERVIEW

Operating Instructions

A

.....

B

Spare Parts Lists

C

.....

D

Attachment

E

Manufacturer in terms of 2014/68/EU

The full name and address of the manufacturer is:

Lenhardt & Wagner GmbH

An der Tuchbleiche 39

68623 Hüttenfeld / Germany

Phone: +49 (0) 62 56 - 85 88 0 - 0

Fax: +49 (0) 62 56 - 85 88 0 - 14

E-Mail: service@lw-compressors.com

Internet: www.lw-compressors.com





SERVICE INFORMATION / WARRANTY

Compressor information

Type designation

Serial number

Date of construction

Purchase information

Purchase date

First commissioned on

Warranty period

Dealer's stamp

Warranty

L&W will uphold warranty claims made during a period of 12 months from the invoice date.

If the compressor was purchased from an official L&W dealer, the date on the dealer's invoice is valid. Warranty claims can only be made on presentation of the original invoice.

Should verifiably defective parts have been delivered, we will decide to either replace the parts or repair them. The resulting transport and assembly costs will be invoiced.

No reduction of the purchase price or changes to the contract can be made. The parts for which a claim is being made should be kept safe by the purchaser and, when requested, sent to us at their cost. Replaced parts become the property of L&W. If maintenance work is carried out without our knowledge or permission by the purchaser or a third party, we are absolved from any liability for warranty claims. As a matter of principle, warranty claims can only be made by the initial purchaser.

Operating Instructions

Breathing Air Compressor

LW SC-400 E / LW SC-480 E / LW SC-550 E





TABLE OF CONTENTS

General Information and Technical Data

| | |
|------------------------------------------------------------|---|
| General Information / Description of Warning Symbols | 4 |
| Scope of Delivery | 5 |
| Technical Data | 6 |
| Unit Assembly | 7 |
| Switchboard | 8 |
| Flow chart | 9 |

Safety Precautions

| | |
|--------------------------------------------------------|----|
| Intended Use / Operators | 11 |
| Safety instructions on the unit | 12 |
| General Safety Precautions | 13 |
| Unit customised safety notices | 14 |
| Maintenance instructions | 15 |
| Transportation instructions / Safety regulations | 16 |

Installation

| | |
|------------------------------------|---------|
| Installation in closed rooms | 18 |
| Dimensions | 19 |
| Minimum distances | 20 |
| Ventilation | 21 |
| Electrical Installation | 22 - 23 |

Operation

| | |
|----------------------------------------|---------|
| Important operation instructions | 25 |
| First commissioning | 26 - 28 |
| Daily commissioning | 29 |
| Filling procedure | 30 |
| Switch off the compressor | 31 |

| | |
|-------------------------------|---------|
| Remedying faults | 32 - 36 |
|-------------------------------|---------|

Maintenance and Service

| | |
|-------------------------------------------------|---------|
| Service, Repair and Maintenance | 38 |
| Maintenance Lists / Maintenance Intervals | 39 - 42 |
| Check V-belt tension / Tension V-belt | 43 |
| Compressor lubrication / Check oil level | 44 |
| Oil change | 45 |
| Oil sieve change | 46 |
| Final pressure switch | 47 |

A



TABLE OF CONTENTS

Maintenance and Service

| | |
|---------------------------------------------------------|---------|
| Automatic condensation dump system | 48 |
| Oil / water separator 1st stage - maintenance | 49 |
| Oil / water separators 2nd stage - maintenance | 50 |
| Oil / water separators final stage - maintenance | 51 |
| Pneumatic condensate valve - maintenance | 52 |
| Filter housing / Filter cartridge | 53 |
| Filter cartridge change..... | 54 |
| Filter housing - Maintenance | 55 |
| Inlet filters / Inlet filter cartridge change | 56 |
| Cylinder heads and valves | 57 |
| Replace inlet and outlet valves 1st and 2nd stage | 58 - 59 |
| Replacement inlet and outlet valves 3rd stage | 60 |
| O-rings—filling valve and filling hose | 61 |
| Safety valves | 62 |
| Pressure maintaining / non return valve | 63 - 64 |
| Safety valve test | 65 |
| Leak test | 66 |
| Pressure gas vessel test | 67 |
| Maintenance records | 68 - 73 |

Storage

| | |
|------------------------------------------------|----|
| Conservation / storage of the compressor | 74 |
| De-conservation, commissioning | 74 |
| Transportation instructions / Disposal | 75 |

A

GENERAL INFORMATION

General Information

We strongly recommend reading this manual thoroughly prior to operation and follow all the safety precautions precisely. Damage resulting from any deviation from these instructions is excluded from warranty and liability for this product. Carry out other commissioning steps only if you have fully understood the following contents.

Before commissioning and using the unit, carry out all the essential preliminary work and measures concerning legal regulations and safety. These are described on the following pages of this operation manual.

A

Description of marks and warning signs

The following warning signs are used in this document to identify the corresponding warning notes which require particular attention by the user. The warning signs are defined as follows:



Caution

Indicates an imminently hazardous situation which, if not avoided, could result in serious injury, physical injury or death.



Warning

Indicates a potentially hazardous situation which, if not avoided, could result in physical injury or damage to the product or environment.



Note

Indicates additional information on how to use the unit.



DESCRIPTION

Scope of Delivery

Compressors are provided in different equipped versions.

Versions

Filling pressure versions:

- PN 225 bar
- PN 330 bar
- PN 225 / 330 bar

Specifications

- Electro motor
- Painted steel housing (RAL 7016)
- Automatic condensate drain
- Automatic stop at final pressure
- Hour counter
- Operating panel c/w start/stop and condensate test buttons, as well as emergency stop switch
- 4x Filling hose c/w filling valve
- Motor protection switch
- Safety switch
- Pressure maintaining and non return valve
- All pistons c/w steel piston rings
- Low pressure oil pump and filter
- Oil- / Water separators in stainless steel
- Safety valves after each stage
- 3 concentric suction/pressure valves
- Filling pressure of your choice (200 or 300 bar)
- Connections to your choice (DIN 200 bar or 300 bar, CGA 200 bar or 300 bar and INT)
- Breathing air purification an accordance to EN 12021

Options

- Auto start system
- 200 and 300 bar parallel filling pressures
- Phase monitoring c/w shut down at wrong direction of rotation
- Ambient temperature monitoring
- Oil pressure gauge
- Intermediate pressure gauges
- Oil pressure monitoring c/w auto shut down
- Indicator light - service interval
- Cylinder head temperature monitoring with auto shut down
- Oil temperature display with auto shut down
- Puracon filter monitoring
- Remote Tab Control - RTC
- Additional high pressure outlet
- Power cable and plug
- Special voltages / frequencies on request

DESCRIPTION

Technical Data

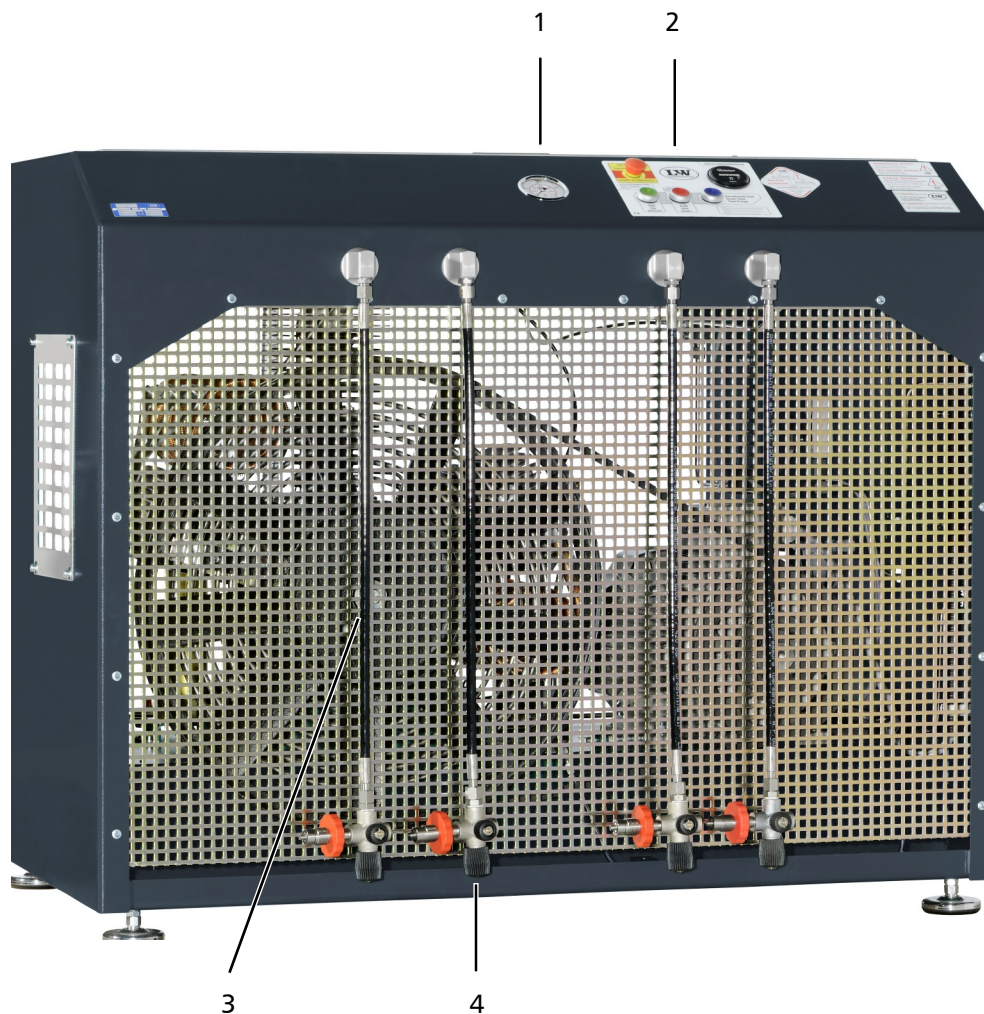


| Technical Data | LW SC-400 E | LW SC-480 E | LW SC-550 E |
|------------------------------------------------|--------------------------------|--------------------------------|--------------------------------|
| Charging Rate [l/min]: | 400 | 480 | 550 |
| Max. Operating Pressure [bar]: | 350 | 350 | 350 |
| RPM [min ⁻¹]: | 900 | 1,015 | 1250 |
| Number of Pressure Stages: | 3 | 3 | 3 |
| Cylinder Bore 1st Stage [mm]: | Ø 95 | Ø 95 | Ø 95 |
| Cylinder Bore 2nd Stage [mm]: | Ø 42 | Ø 42 | Ø 42 |
| Cylinder Bore 3rd Stage [mm]: | Ø 18 | Ø 18 | Ø 18 |
| Medium: | Compressed Air / Breathing Air | Compressed Air / Breathing Air | Compressed Air / Breathing Air |
| Intake Pressure: | atmospheric | atmospheric | atmospheric |
| Oil Pressure (at operating temperature) [bar]: | +1.5 (-0,2) | +1.5 (-0,2) | +1.5 (-0,2) |
| Oil Capacity [l]: | 2.2 | 2.2 | 2.2 |
| Intake Temperature [°C]: | 0 < +45 | 0 < +45 | 0 < +45 |
| Ambient Temperature [°C]: | +5 < +45 | +5 < +45 | +5 < +45 |
| Cooling Air Volume [m ³ /h]: | > 3,300 | > 3,300 | > 3,300 |
| Voltage: | 400 V / 3 phase / 50 Hz | 400 V / 3 phase / 50 Hz | 400 V / 3 phase / 50 Hz |
| Protection Class Drive Motor: | IP 54 | IP 54 | IP 54 |
| Drive Power [kW]: | 11 | 11 | 11 |
| RPM Motor [min ⁻¹]: | 2,890 | 2,890 | 2,890 |
| Start: | Star/Delta | Star/Delta | Star/Delta |
| Noise level [dB(A)]: | 82 from a distance of 1 m | 83 from a distance of 1 m | 83 from a distance of 1 m |
| Dimensions W x D x H [mm]: | 1540 x 730 x 1020 | 1540 x 730 x 1020 | 1540 x 730 x 1020 |
| Weight [kg]: | ca. 350 | ca. 352 | ca. 370 |
| Content Volume Filter housing [l]: | 1.7 | 1.7 | 1.7 |

DESCRIPTION

Unit Assembly

A



| No. | Designation |
|-----|-------------------------------------------------|
| 1 | Filling pressure gauge |
| 2 | Switchboard |
| 3 | Filling hoses (optional: without filling hoses) |
| 4 | Filling valves |

DESCRIPTION

Switchboard

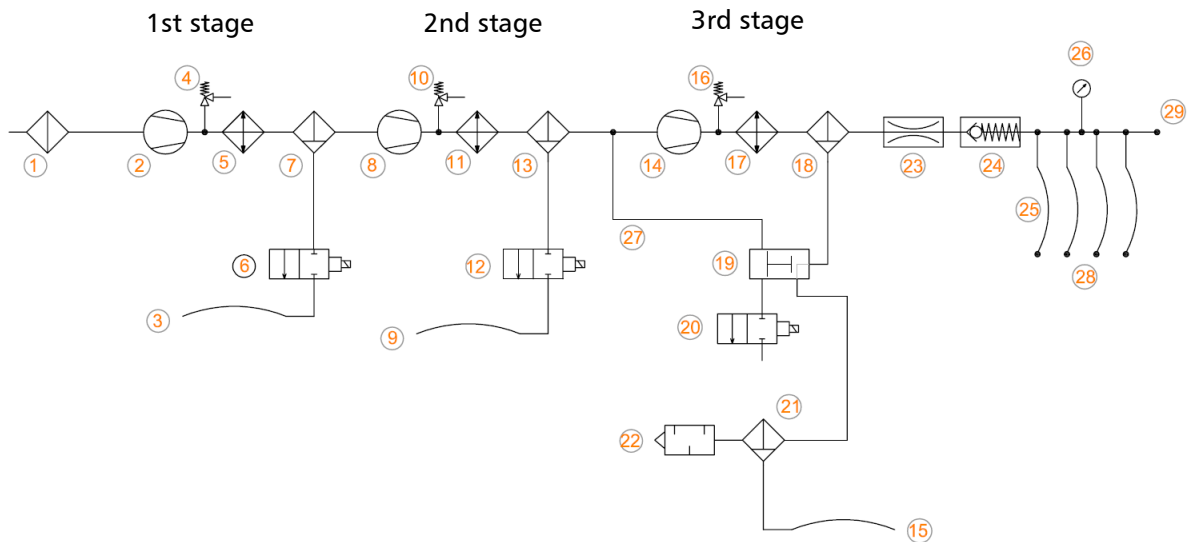
A



| No. | Designation |
|-----|---------------------------|
| 1 | Emergency shut-off switch |
| 2 | Hour counter |
| 3 | ON button |
| 4 | OFF button |
| 5 | Drain test button |

DESCRIPTION

Flow chart



- | | |
|--------------------------------------------------------|---------------------------------------------------------|
| 1. Ansaugfilter / Air Intake Filter | 16. Sicherheitsventil 3.Stufe / Safety Valve 3rd Stage |
| 2. 1. Verdichterstufe / 1st Pressure Stage | 17. Wärmetauscher / Heat Exchanger |
| 3. Kondensatablassschlauch / Condensate Release Hose | 18. Öl-/Wasserabscheider / Oil-/Water Separator |
| 4. Sicherheitsventil 1.Stufe / Safety Valve 1st Stage | 19. Pneum. Kondensatventil / Pneumatic Condensate Valve |
| 5. Wärmetauscher / Heat Exchanger | 20. Magnetventil / Solenoid Valve |
| 6. Kondensatventil / Condensate Valve | 21. Kondensatabscheider Endstufe / Condensate Separator |
| 7. Öl-/Wasserabscheider / Oil Water Separator | 22. Schalldämpfer / Silencer |
| 8. 2. Verdichterstufe / 2nd Pressure Stage | 23. Druckhalteventil / Pressure Maintaining Valve |
| 9. Kondensatablassschlauch / Condensate Release Hose | 24. Rückschlagventil / Non-Return Valve |
| 10. Sicherheitsventil 2.Stufe / Safety Valve 2nd Stage | 25. Hochdruckschläuche / HP Hose |
| 11. Wärmetauscher / Heat Exchanger | 26. Druckmanometer / Pressure Gauge |
| 12. Kondensatventil / Condensate Valve | 27. Steuerleitung 2.Stufe / Control Cable 2nd Stage |
| 13. Öl-/Wasserabscheider / Oil-/Water Separator | 28. Füllanschlüsse / Filling Connections |
| 14. 3. Verdichterstufe / 3rd Pressure Stage | 29. Hochdruckabgang (Option) / HP Outlet (option) |
| 15. Kondensatablassschlauch / Condensate Release Hose | |



A

SAFETY PRECAUTIONS



SAFETY PRECAUTIONS

A

Intended Use

Only use the unit in perfect condition for its intended purpose, safety and intended use and observe the operating instructions! In particular disorders that may affect safety have to be eliminated immediately!

Use the unit exclusively for the determined medium (see "Technical Data"). Any other use that is not specified is not authorized. The manufacturer/supplier shall not be liable for any damages resulting from such use. Such risk lies entirely with the user. Authorization for use is also under the condition that the instruction manual is complied with and inspection and maintenance requirements are enforced.

No change and modification to the unit can be made without the written agreement of the manufacturer. The manufacturer is not liable for damage to persons or property resulting from unauthorised modifications.

Operators

Target groups in these instructions;

Operators

Operators are persons who are authorized and briefed for the use of the compressor.

Qualified personnel

Qualified personnel are persons who are entitled to repair, service, modify and maintain the system.



Warning

Only trained personnel are permitted to work on the unit!



Warning

Work on the electrical equipment on / with the machine / unit may only be carried out by qualified electricians.

SAFETY PRECAUTIONS

Safety instructions on the unit

Importance of notes and warning signs that are affixed to the compressor according to the application or its equipment.

A



Warning
High voltage!



Note
Ensure correct direction of rotation!



SAFETY PRECAUTIONS

General Safety Precautions

- Read the Operating Instructions of this product carefully prior to use.
- Strictly follow the instructions. The user must fully understand and strictly observe the instructions. Use the product only for the purposes specified in the intended use section of this document.
- Do not dispose the operating instructions. Ensure that they are retained and appropriately used by the product user.
- Only trained and competent personnel are permitted to use this product.
- Comply with all local and national rules and regulations associated with this product.
- Only trained and competent personnel are permitted to inspect, repair and service the product.
- Only authentic L&W parts and accessories may be used for maintenance work. Otherwise, the proper functioning of the product may be impaired.
- Do not use faulty or incomplete products. Do not modify the product.
- Inform L&W in the event of any product or component fault or failure.
- The quality of the air supply must meet EN 12021 specifications for breathing air.
- Do not use the product in areas prone to explosion or in the presence of flammable gases. The product is not designed for these applications. An explosion might be the result if certain conditions apply.

A



SAFETY PRECAUTIONS

Unit customised safety notices

Organisational measures

- In addition to the instruction manual, observe and comply with universally valid legal and other obligatory regulations regarding accident prevention and environment protection.
- In addition to the instruction manual, provide supplementary instructions for supervision and monitoring duties taking into consideration exceptional factors e.g. with regard to organisation of work, production, personnel employed.
- Supervise personnel's work in accordance with the instruction manual, taking into account safety and danger factors.
- Observe all safety and danger notices on the compressor and check readability and completeness.

Safety instructions operation

- Take measures to ensure that the machine is only taken into operation under safe and functional conditions. Only operate the compressor if all protective and safety equipment, e.g. detachable protective equipment, are provided and in good working order.
- Check the compressor at least once per day for obvious damage and defects. Inform the responsible department / person immediately if anything is not as it should be (including operation performance). Shut down the machine immediately if necessary and lock it.
- In case of malfunction, stop the compressor immediately and lock it. Repair malfunctions immediately.
- If there is a failure in the electric energy supply, shut the machine / unit down immediately.
- Ensure safe and environmentally friendly disposal of consumables and old parts.
- The stipulated hearing protectors must be worn.
- Soundproofing equipment on the compressor has to be activated in safety function during operation.
- When handling with fats, oils and other chemical agents, observe the note for the product-related safety.

A

SAFETY PRECAUTIONS

Maintenance instructions

- Hoses have to be checked by the operator (pressure and visual inspection) at reasonable intervals, even if no safety-related defects have been detected.
- Immediately repair any damage. Escaping compressed air can cause injury.
- Depressurise system and pressure lines before beginning repair work.
- Pressurised air lines must be laid and mounted by qualified personnel. Connections must not be mixed up. Fittings, length and quality of the piping must correspond to requirements.
- Adjustment, maintenance and inspection activities and keep appointments, including information on replacement parts / equipment, prescribed in the operating instructions have to be respected.
- If the machine / equipment is completely off during maintenance and repair work, it must be protected against unexpected restart. Turn off main control device and remove the key and/or display a warning sign on the main switch.
- The machine and especially the connections and fittings should be cleaned from oil, fuel and maintenance products at the beginning of the maintenance / repair. Do not use aggressive cleaning agents. Use fibre-free cleaning cloths.
- Switch off compressor and clean with a slightly damp cloth. Remove dirt from cooling pipes by using a brush.
- After cleaning, examine all pipes for leaks, loose connections, chafing and damage. Immediately eliminate any faults.
- Always retighten any screw connections loosened for maintenance or repair work.
- If it is necessary to remove safety devices for maintenance and repair work, these must be replaced and checked immediately after completion of the maintenance or repair work.
- The electrical equipment of the compressor must be regularly checked. Defects, such as loose screw connections or burnt wires, must be immediately rectified by electrically skilled personnel.
- Only personnel with particular knowledge and experience with pneumatics may carry out work on pneumatic equipment.
- Only personnel with particular knowledge and experience in gas equipment may carry out work on gas equipment.



SAFETY PRECAUTIONS

Transportation instructions

- Parts which need to be dismantled for transport purposes must be carefully replaced and secured before taking into operation.
- The transport may only be carried out by trained personnel.
- For transportation, only use lifting devices and equipment with sufficient lifting power.
- Do not stand or work under suspended loads.
- Also separate from minor relocation machinery / system of any external energy supply. Before recommissioning, reconnect the machine to the mains according to regulations.
- When recommissioning, proceed according to the operating instructions..

Safety regulations

- Inspections according to legal and local obligatory regulations regarding accident prevention are carried out by the manufacturer or by authorised expert personnel. No guarantees whatsoever are valid for damage caused or favoured by the non-consideration of these directions for use.

A



A

INSTALLATION

INSTALLATION

Installation in closed rooms



Danger

No operation in explosion-hazard areas.

The unit is not approved for operation in areas prone to explosion.

For installation in closed rooms, observe the following:

- Install the unit horizontally and level. The floor must be vibration-free and capable of taking the load of the system weight.
- The compressor room must be clean, dry, dust free and as cool as possible. Avoid direct exposure to sunlight. If possible, install unit in such a manner that the compressor fan can intake fresh air from outside. Ensure adequate ventilation and exhaust air opening.
- When locating the compressor in rooms of less than 30 m³ space where natural ventilation is not ensured or other systems having high radiation are operating in the same room, measures must be taken to provide artificial ventilation.
- Intake air must be free from noxious gas e.g. smoke, solvent vapours, exhaust fumes etc.
- Observe the specified operating temperature (see "Technical Data")!

A

INSTALLATION

Dimensions

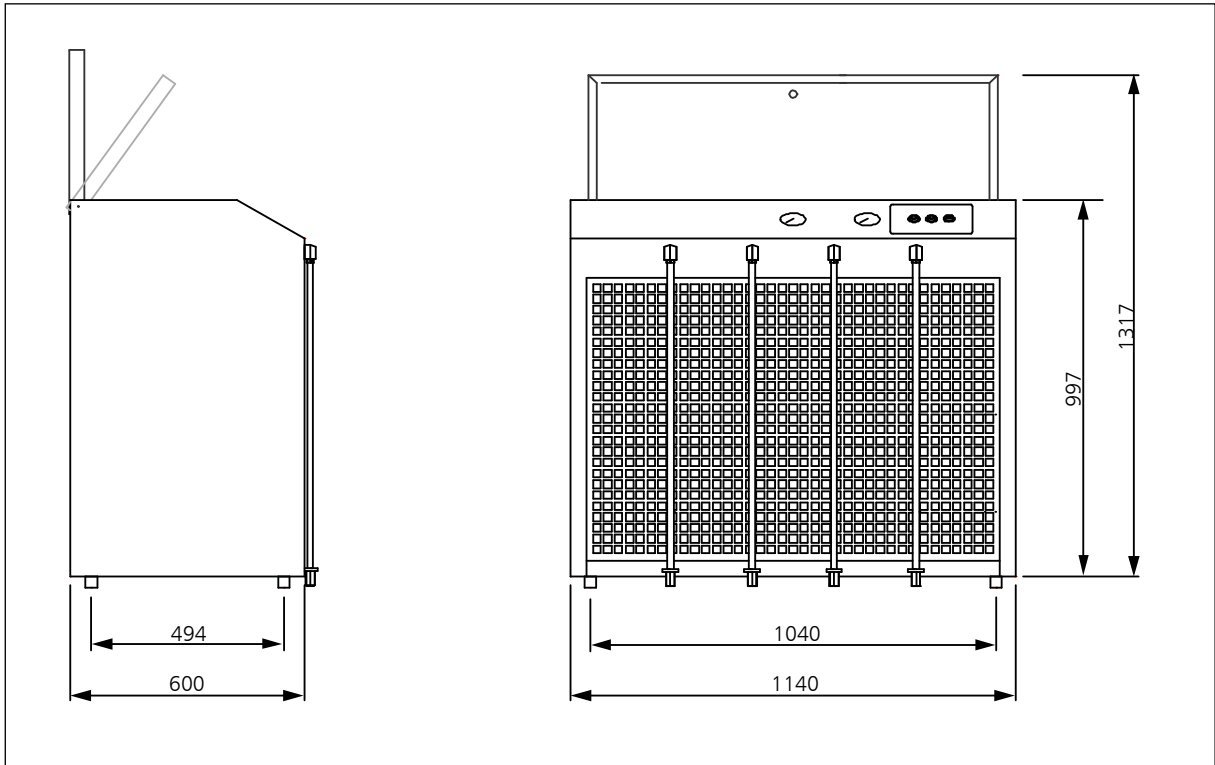


Fig. Dimensions

A

INSTALLATION

Minimum distances



Note

Minimum distances must be adhered!

- Make sure that the compressor always has a sufficient amount of fresh air available.
- To prevent serious damage, ensure that the cooling air flow can flow freely.
- The following minimum distances must be adhered:
Front side min. 1500 mm, sides min. 500 mm, rear side min. 500 mm.
Avoid anything in this area which can restrict the cooling air flow.

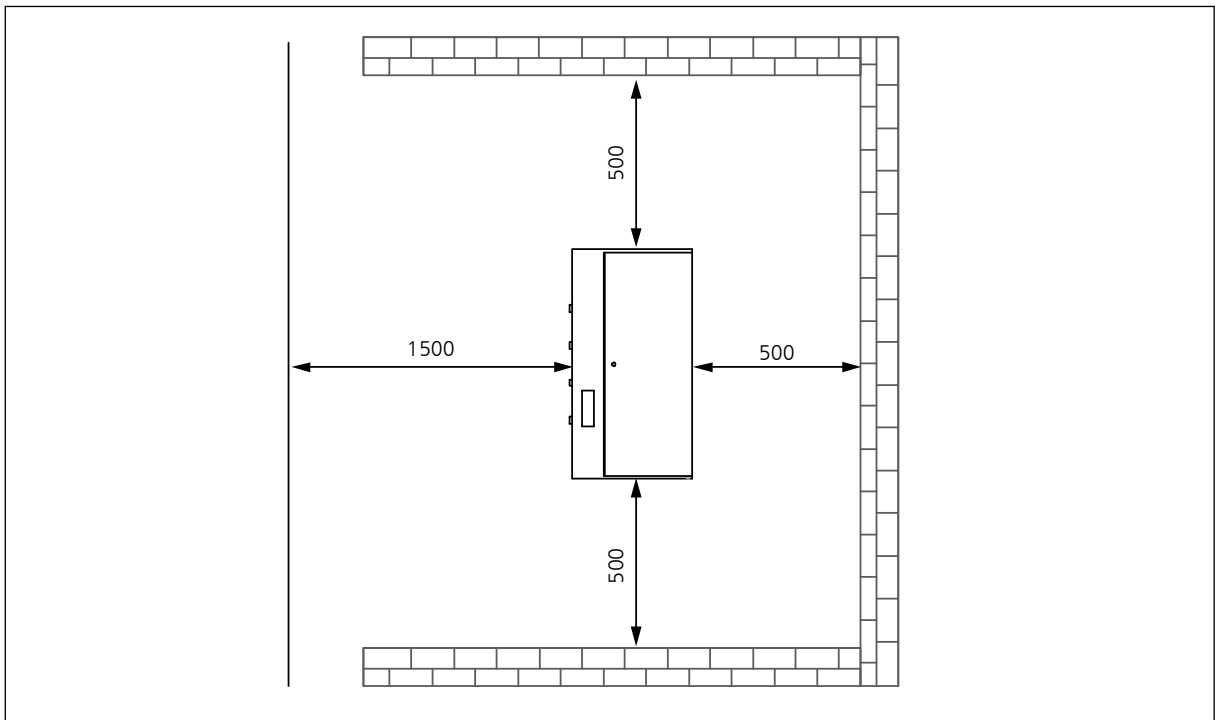


Fig. Minimum distances

INSTALLATION

Ventilation

- Make sure that the compressor always has a sufficient amount of fresh air available for cooling.
- To prevent serious damage, ensure that the cooling air flow can flow freely.
- The necessary cooling air flow can be calculated by using the following formula:
 $300 \times \text{drive power [kW]} = \text{required cooling air flow [m}^3/\text{h]}$
 Example 11kW motor: $300 \times 11\text{kW} = 3300 \text{ m}^3/\text{h} = \text{required cooling air flow.}$
- The fan capacity for fresh air and warm air must meet at least the required cooling air flow.
 The fans must have the same capacity.

A

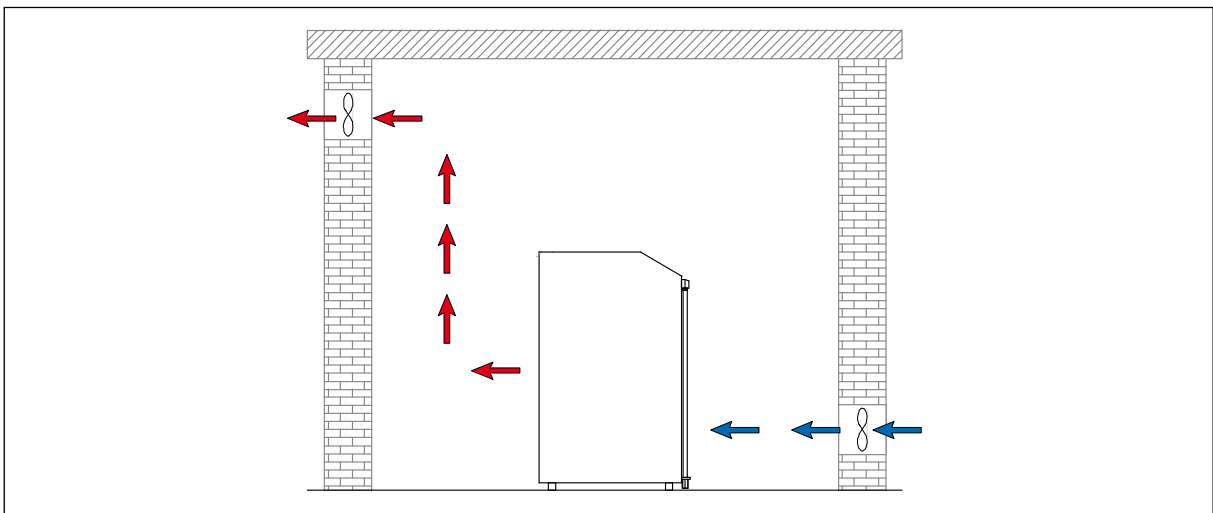


Fig. Ventilation through facade

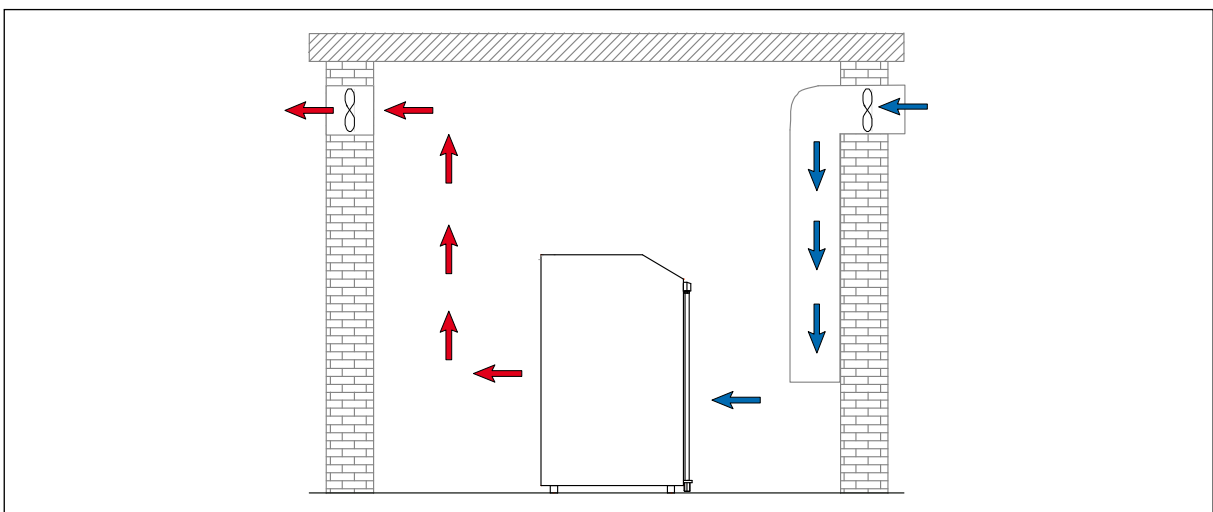


Fig. Ventilation via ventilation stack

INSTALLATION

Electrical Installation



Warning

Work on the electrical equipment on / with the machine / unit may only be carried out by qualified electricians.

For installation of electrical equipment, observe the following:

- If control devices are delivered by the factory, refer to the appropriate wiring diagram.
- Ensure correct installation of protective conductors.
- Check conformity of motor and control device tension and frequency with those of the electric network (see name plate on the compressor).
- The fusing should be done in accordance with the valid regulations of the responsible electricity supply company.
- When connecting the unit to the electrical supply, check the compressor direction of rotation (see chapter "Maintenance" -> Check turning direction).
- Fuse the motor correctly (see table; use slow-blow fuses).

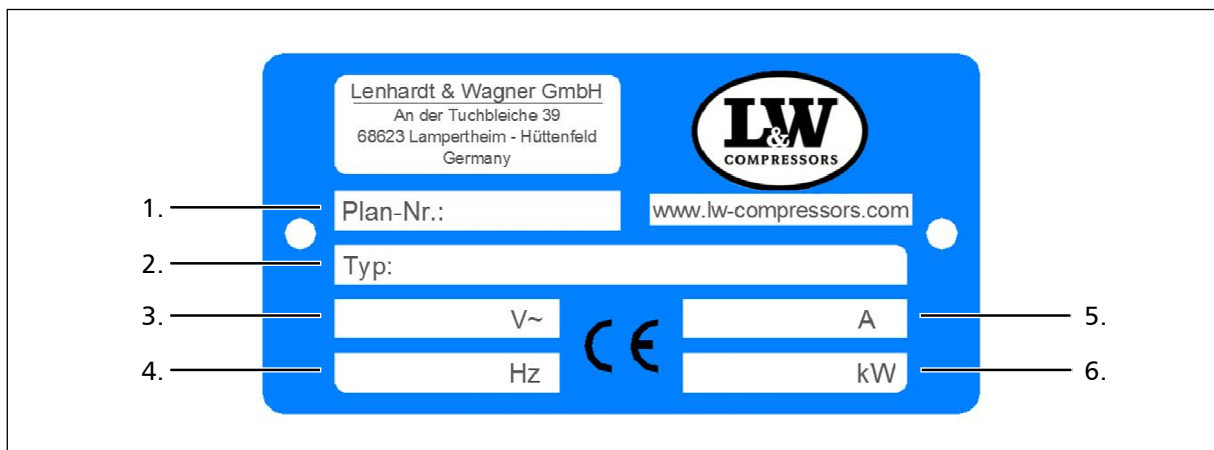


Fig. Compressor name plate

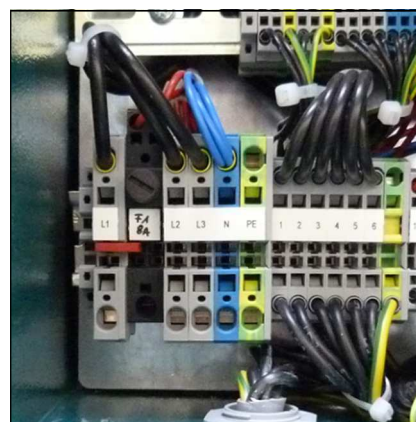
| No. | Designation |
|-----|---------------------------|
| 1. | Circuit diagram number |
| 2. | Compressor type |
| 3. | Power supply |
| 4. | Frequency |
| 5. | Motor current consumption |
| 6. | Nominal motor power |

INSTALLATION

Electrical Installation

The standard compressor version is prepared for the connection to three phases (brown, black, grey), neutral conductor (blue) and protective earth conductor (green/yellow).

Fig. - Connection to the switch box



A

Recommended fuses for 360 - 500 V operating voltage

| Nominal motor power | | Fusing start A | | Connection in mm ² | |
|---------------------|------|----------------|------------|-------------------------------|-----------|
| [kw] | [A] | Direct | Star/Delta | Contactor supply | Motor S/D |
| 2.2 | 5 | 10 | - | 1.5 | 1.5 |
| 4 | 8.5 | 20 | - | 2.5 | 1.5 |
| 5.5 | 11.3 | 25 | 20 | 2.5 | 1.5 |
| 7.5 | 15.2 | 30 | 25 | 2.5 | 1.5 |
| 11 | 21.7 | - | 35 | 4 | 2.5 |
| 15 | 29.9 | - | 35 | 6 | 4 |
| 18.5 | 36 | - | 50 | 6 | 4 |
| 22 | 41 | - | 50 | 10 | 4 |
| 30 | 55 | - | 63 | 10 | 6 |

Recommended fuses for 220 - 240 V operating voltage

| Nominal motor power | | Fusing start A | | Connection in mm ² | |
|---------------------|------|----------------|------------|-------------------------------|-----------|
| [kw] | [A] | Direct | Star/Delta | Contactor supply | Motor S/D |
| 2.2 | 8.7 | 20 | - | 1.5 | 1.5 |
| 4 | 14.8 | 25 | - | 2.5 | 1.5 |
| 5.5 | 19.6 | 35 | 25 | 4 | 2.5 |
| 7.5 | 26.4 | 50 | 35 | 6 | 4 |
| 11 | 38 | - | 50 | 6 | 4 |
| 15 | 51 | - | 63 | 10 | 4 |
| 18.5 | 63 | - | 80 | 16 | 6 |
| 22 | 71 | - | 80 | 16 | 6 |
| 30 | 96 | - | 125 | 25 | 10 |



A

OPERATION



OPERATION

Important operation instructions



Note

Ensure that all persons handling the compressor are familiar with function and operation of the unit.



Wear hearing protection

When working on a running machine, always wear hearing protection.

A

FIRST COMMISSIONING

Prior to first commissioning, observe the following:

Necessary steps are described on the next page.

- Ensure that cooling air can flow freely.
- Check compressor oil level by the oil sight glass (see next page).
- Check all connections and retighten if necessary.
- Check if the filter cartridge is in place (see "Service and Maintenance").
- Check the V-belt tension (see next page).
- Check if all filling valves are closed. Open one filling valve and hold tight manually!

Start the compressor

1. Start the compressor by pushing the ON button.
2. Check turning direction - see the rotary direction arrow on the housing of the electric motor (see next pages). If the turning direction is wrong, immediately stop the compressor by pushing the OFF button and contact an authorised electrician.



Warning

Wrong impeller rotation direction!

Immediately after switching the compressor on, check the rotation direction. Depending on the place of installation, the phase sequence can influence the rotation direction.

3. Check oil pressure (if oil pressure gauge is installed).
4. Run the compressor for about 2 minutes.
5. Close the open filling valve carefully.
6. Run the compressor up to maximum pressure and check if the final pressure switch shuts off the compressor. If the final pressure switch does not shut off, switch off the compressor with the OFF button (see chapter "REMEDYING FAULTS").
7. Check the compressor unit for leaks (see "SERVICE AND MAINTENANCE")
8. Now check the condensate drain valves:
 - Fix the black condensate hoses
 - Drain test - press the test button
 - If correct, air escapes
9. Stop the compressor by pushing the OFF button.
10. Open all filling valves carefully to vent.

FIRST COMMISSIONING

Check oil level



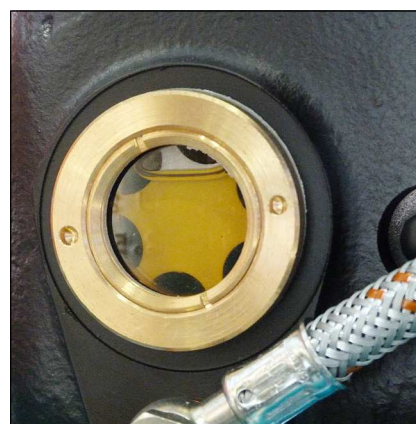
Warning

Check oil level daily. Never start the compressor with a too low oil level. Risk of accidental loss, destruction or deterioration.

Check oil before each operation of the system!

The oil level should be between the middle and upper end of the oil sight glass. Never start the compressor with a too low oil level.

Refill new compressor oil at least when the oil level reached the middle of the indicated area.



Oil sight glass

Check V-belt tension

The V-belt could lose tension during transportation. Please check the V-belt tension before starting the compressor.

Tension V-belt

To tighten V-belt tension, loosen 4 mounting nuts of the drive motor. Use the tensioning screw to move the electric motor until the V-belt tension is sufficient. Then, tighten mounting nuts and check V-belt tension.

We recommend using a V-belt tension gauge.

Correct V-belt tension

Do not tension V-belt too tight. This damages bearings of compressor and motor. The V-belt should only be tensioned until there is no noise caused by slipping during start.

Settings

| Motor Type | Initial Installation | Operation after running in |
|----------------------|----------------------|----------------------------|
| Electric motors 50Hz | 600 N | 450 N |
| Electric motors 60Hz | 500 N | 400 N |

FIRST COMMISSIONING

Check turning direction



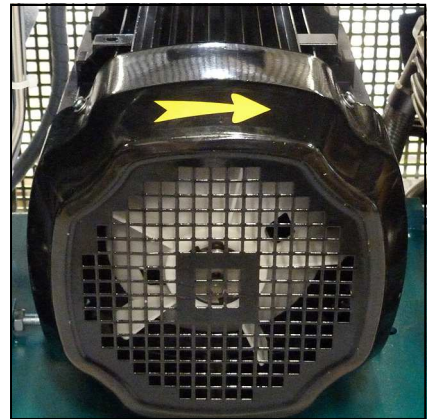
Warning

Wrong impeller rotation direction!

Immediately after switching the compressor on, check rotation direction. Depending on the place of installation, the phase sequence can influence the rotation direction.

Before starting the compressor for the first time, check rotation direction (see the rotary direction arrow on the housing of the electric motor).

If the direction of rotation is wrong, the guide pistons of the 2nd and 3rd stages can not be sufficiently lubricated, with the consequence that the pistons will be damaged. Furthermore, cooling air flow will not be sufficient.



Rotation direction arrow

A



DAILY COMMISSIONING

Prior to daily operation observe the following:

- Ensure cooling air can flow freely.
- Check compressor oil level by the oil sight glass.
- Check if filter cartridge is in place / observe filter cartridge life!
- Ensure toxic-free, pure intake air.

A

OPERATION

Filling procedure



Caution! Fill only cylinders which:

- are marked with the test mark and the test stamp of the expert.
- have been hydrostatic tested (check last test date).
- are rated for the final pressure.
- are free from humidity.



Note

The unit shuts down when final pressure is reached. Thus, the unit always has to be restarted manually.

1. Close all filling valves.
2. Connect the closed compressed air cylinders.
3. Open cylinder valves.
4. Start compressor by pushing the ON button.
5. When the filling pressure gauge increases, open the filling valves slowly.
6. Fill compressed air cylinders to the desired pressure, subsequently close the filling valves slowly.
7. Close and vent all filling valves.
8. Disconnect all compressed air cylinders from filling valves.

A



OPERATION

Switch off the compressor

The compressor unit is equipped as standard with a pressure switch which automatically shuts down the system when the corresponding final pressure is reached.

During filling process, you can shut down the system at any time by pushing the red button (OFF) or the emergency stop (only in case of emergency!).



Note

After automatic or manual switching off, all pressure vessels and filter housings of the compressor will be automatically vented.

A



A

REMEDYING FAULTS

REMEDYING FAULTS

A

Final pressure can not be reached

| Cause of fault | Remedy |
|---------------------------------------------|---------------------------------------------------------------------------------------------------------------------|
| Connections leaky | Retighten or clean/replace if necessary |
| Final pressure safety valve leaky | Replace |
| Pipes / heat exchanger broken | Replace |
| Condensate drain valves leaky | Unscrew valves, check sealing surfaces, clean, replace if necessary |
| Final pressure switch stop unit | Verify settings, replace if necessary |
| Piston of pneumatic condensate valve sticks | Clean pneumatic condensate valve and restore function, check/replace o-rings, replace valve completely if necessary |

Strong compressor vibration

| Cause of fault | Remedy |
|---------------------------------------|---------------------------------|
| V-belt tension too loose | Tension V-belt |
| Drive motor / Compressor unit loosely | Retighten mounting screws |
| Anti vibration mounts used up | Replace |
| Ground not levelled | Ensure a solid and level ground |

Air supply too low

| Cause of fault | Remedy |
|--------------------------------------------------|-------------------------------------------------|
| Inlet and outlet valves contaminated / defective | Clean, replace if necessary |
| Cylinder(s), piston(s) or piston ring(s) used up | Replace |
| V-belt slips | Tension V-belt |
| See chapter "Final pressure can not be reached" | See chapter "Final pressure can not be reached" |

REMEDYING FAULTS

Compressor overheated

| Cause of fault | Remedy |
|--------------------------------------------------|---------------------------------------------------------------------|
| Inlet filter cartridge contaminated | Replace |
| Ambient temperature too high | Improve room ventilation / Reduce operation times |
| Cooling air inlet and outlet insufficient | Observe minimum distances (see Installation Instructions) |
| Air intake hose too long | Reduce length of the air intake hose |
| Air intake hose diameter too small | Use a larger diameter |
| Wrong compressor rotation direction | Ensure correct phase rotation, observe rotation direction arrow! |
| Inlet and outlet valves contaminated / defective | Clean, replace if necessary |

Safety valve leaks

| Cause of fault | Remedy |
|-------------------------------------------------------------------|-----------------------------|
| Inlet and outlet valves of the following pressure stage defective | Clean, replace if necessary |
| Sinter filter of the following water separator blocked | Replace |
| Safety valve leaky | Replace |

Oil taste in the air

| Cause of fault | Remedy |
|----------------------------------------------------|----------------------------|
| Mole carbon filter cartridge saturated | Replace |
| Compressor oil unsuitable | Use prescribed oil quality |
| Filter cartridge unsuitable | Use prescribed filter type |
| Cylinder(s), piston(s) or piston ring(s) defective | Replace |

REMEDYING FAULTS

Automatic condensate drain defective

| Cause of fault | Remedy |
|-----------------------------------------------------|-------------------------------------------------------------------------------------------------------------------|
| Solenoid coils defective | Replace |
| Cable / supply cable defective | Repair, replace if necessary |
| Timer / relais defective | Replace |
| Sinter filter of pneumatic condensate valve blocked | Replace |
| Piston of pneumatic condensate valve sticks | Clean pneumatic condensate valve and restore function, check/replace o-rings, replace valve complete if necessary |

Condensate drain starts before reaching final pressure

| Cause of fault | Remedy |
|-----------------------------------------------------------------------------------------------|-------------------------------------------------------------------|
| Pressure stages are not as prescribed, control pressure of pneumatic condensate valve too low | Check corresponding inlet and outlet valve, replace if necessary. |
| Piston sealing of pneumatic condensate valve contaminated / used up | Clean, replace if necessary |
| Timer / relais settings not correct | Adjust as prescribed |
| Timer / relais defective | Replace |

Compressor stops before final pressure

| Cause of fault | Remedy |
|---------------------------------------------------------------|-----------------------------------------------------------------------|
| Final pressure switch settings not correct | Correct settings |
| Opening pressure of the pressure maintaining valve too high | Correct settings |
| Fuse / circuit breaker has tripped Valid only for E models | Check fusing of the power supply / observe regulations |
| Emergency stop switch has tripped | Unlock emergency stop switch, close compressor housing door correctly |



REMEDYING FAULTS

Filter life not sufficient

| Cause of fault | Remedy |
|--------------------------------------------------------------------------------------------------------------------------|----------------------------------------------------------------|
| Pressure maintaining valve settings not correct | Adjust as prescribed |
| Filter cartridge unsuitable | Replace by a prescribed filter cartridge type |
| Filter cartridge too old | Observe expiration date |
| Filter cartridge packaging incorrect / damaged / already opened. Filter cartridge already partly saturated before change | Store filter cartridges properly, dispose defective cartridges |
| Operating temperature too high | Ensure sufficient ventilation |
| Cylinder(s), piston(s) or piston ring(s) defective | Replace |

Oil consumption too high

| Cause of fault | Remedy |
|----------------------------------------------------|---------------------------------------------------------------------------------------------------------------|
| Cylinder(s), piston(s) or piston ring(s) defective | Replace |
| Compressor oil unsuitable | Use prescribed oil quality |
| Operating temperature too high | Observe prescribed operating temperatures |
| Oil leak at the compressor block | Tighten corresponding mounting screws, if necessary replace corresponding paper sealing / o-ring / shaft seal |



A

MAINTENANCE AND SERVICE

Service, Repair and Maintenance

Carry out service and maintenance work exclusively when the compressor is stopped and depressurised. The unit should be leak-checked regularly. Leaks can be preferably localised by using a leak detector spray (if necessary, brush pipes with soapy water).

We recommend that only authorised L&W service technicians carry out service work on the bearing of the compressor (crankshaft and connecting rods).

We urgently recommend that all maintenance, repair and installation work must only be carried out by trained personnel. This is necessary because all maintenance work can not be explained exactly and detailed in this manual.

Only use authentic spare parts for service work.

**Danger**

Components under pressure, such as hose ends, can quickly come loose when manipulated and can cause potentially fatal injuries due to the pressure surge. Any work on system parts may only be performed in a pressure-compensated state.

**Warning**

The use of accessories that have not been tested can lead to death or serious injury or damage to the unit. Only use authentic spare parts for service work.

**Warning**

Carry out maintenance or service work when the unit is switched off and protected against unexpected restart.

**Warning**

Risk of burns!

Carry out maintenance or service work when the unit has cooled down.



MAINTENANCE AND SERVICE

Daily before taking unit into operation

| Maintenance work | Type | Quantity | Order No. |
|----------------------------------------------------------------------------|------|----------|-----------|
| Check oil level | - | - | 000001 |
| Check condition of all filling hoses | - | - | - |
| Check filter cartridge lifetime | - | - | - |
| Operate unit to final pressure and check function of final pressure switch | - | - | - |

At 25 operation hours

| Maintenance work | Type | Quantity | Order No. |
|------------------|------|----------|-----------|
| Oil change | - | 2,2 | 000001 |

Every 3 months or as required

| Maintenance work | Type | Quantity | Order No. |
|------------------------------------------|------|----------|-----------|
| Check/Retorque all connections and bolts | - | - | - |



MAINTENANCE AND SERVICE

Annually

| Maintenance work | Type | Quantity | Order No. |
|---------------------------------------------------------------------------------|------|----------|-----------|
| Oil change, if less than 1000 operating hours | - | 2.2 | 000001 |
| Check opening pressure of final safety valve | - | - | - |
| Clean coolers | - | - | - |
| Clean all oil/water separators, if less than 500 operating hours | - | - | - |
| Service intake filter (depends on condition - if less than 500 operating hours) | - | - | - |
| Check all connections for leakage | - | - | - |

Every 500 operating hours

| Maintenance work | Type | Quantity | Order No. |
|---------------------------------------------|------|----------|-----------|
| Change intake filter | - | 1 | 000170 |
| Check pressure maintaining/non-return valve | - | - | - |
| Check V-belt tension and condition | - | - | - |



MAINTENANCE AND SERVICE

Every 1000 operating hours

| Maintenance work | Type | Quantity | Order No. |
|-------------------------------------------------------------|-----------|----------|-----------|
| Check V-belt condition and tension | - | 1 | - |
| Replace sintered metal filter element of water separators | 1st stage | 1 | 000184 |
| | 2nd stage | 1 | 000173 |
| Replace o-rings of water separators | 1st stage | 1 | 001294 |
| | 2nd stage | 3 | 001272 |
| Replace o-ring of oil separator | - | 1 | 001294 |
| Replace silencer | - | 1 | 000178 |
| Replace sintered metal filter of oil separators | - | 1 | 000184 |
| Replace sintered metal filter of pneumatic condensate valve | - | 1 | 000188 |
| Replace oil sieve / oil pump cover gasket | - | 1 | 002569 |
| Oil change | - | 2.2 | 000001 |
| Replace o-rings of the final filter housing | - | 1 | 001769 |
| Replace o-ring of the DIN filling connector | - | 4 | 001237 |
| Replace o-ring of the revolvable filling hose | - | 4 | 001224 |

A



MAINTENANCE AND SERVICE

Every 4000 operating hours (Latest in 10 years)

A

| Maintenance work | Type | Quantity | Order No. |
|-----------------------------------------------------------|------------------|----------|-----------|
| Replace all o-rings and gaskets of 1st, 2nd and 3rd stage | gasket | 3 | 000240 |
| | o-ring | 1 | 001274 |
| Replace all inlet and outlet valves incl. gaskets | 1st stage | 1 | 000259 |
| | 2nd stage | 1 | 000256 |
| | 3rd stage | 1 | 010337 |
| | Upper gasket 1st | 1 | 000257 |
| | Upper gasket 2nd | 1 | 000254 |
| | Lower gasket 1st | 1 | 000258 |
| | Lower gasket 2nd | 1 | 000253 |
| Replace oil intake hose | - | 1 | 000376 |
| Replace needle bearing for conrod 2nd stage | - | 1 | 003836 |
| Replace needle bearing for conrod 3rd stage | - | 1 | 003281 |
| Replace o-ring | 3rd stage | 1 | 001274 |
| CU-Ring (Ø10 x 16 x 2mm) | - | 12 | 001323 |
| Paper gasket cylinder flange | - | 3 | 000240 |



MAINTENANCE AND SERVICE

Check V-belt tension

The V-belt could lose tension during transportation. Please check the V-belt tension before starting the compressor.

Tension V-belt

To tighten V-belt tension, loosen 4 mounting nuts of the drive motor. Use the tensioning screw to move the electric motor until the V-belt tension is sufficient. Then, tighten mounting nuts and check V-belt tension.

We recommend using a V-belt tension gauge.

Correct V-belt tension

Do not tension V-belt too tight. This damages bearings of compressor and motor. The V-belt should only be tensioned until there is no noise caused by slipping during start.

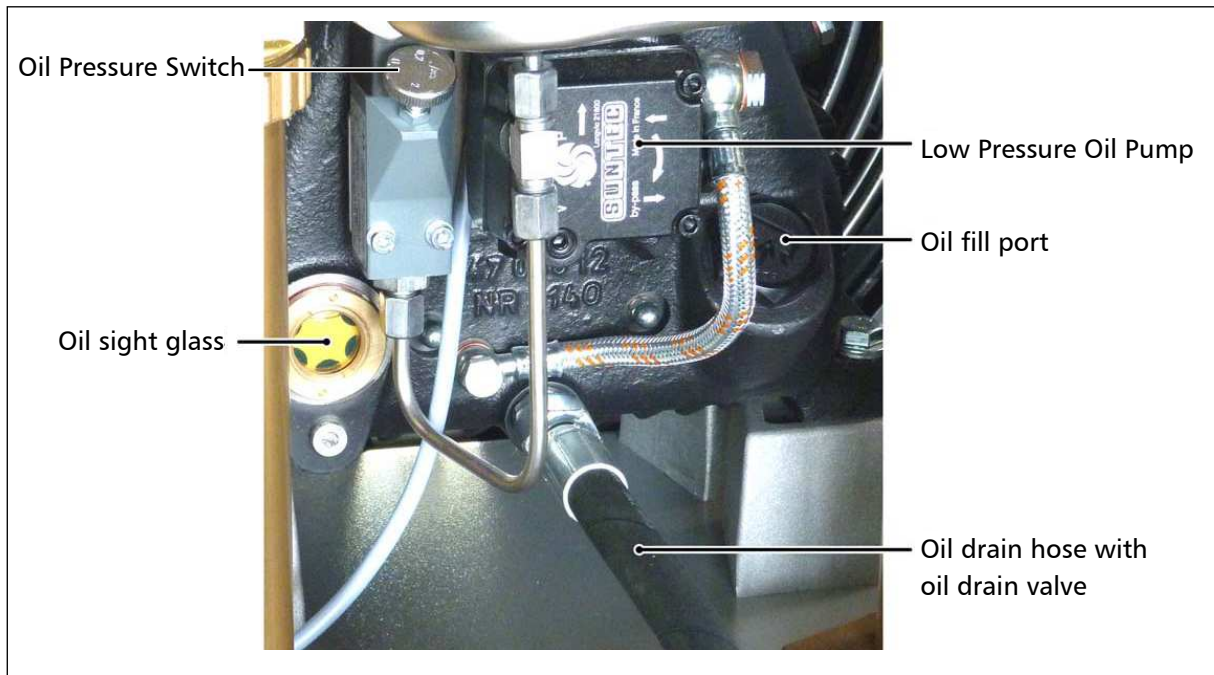
Settings

| Motor Type | Initial Installation | Operation after running in |
|----------------------|----------------------|----------------------------|
| Electric motors 50Hz | 600 N | 450 N |
| Electric motors 60Hz | 500 N | 400 N |

Compressor lubrication

Crankshaft bearings of the 1st and 2nd stage get lubrication by an oil slinger. In addition, 1st and 2nd stage are lubricated by spray oil. The guide cylinder of the 3rd stage is lubricated by a mechanical oil pump.

A



Lubricating System

Check oil level



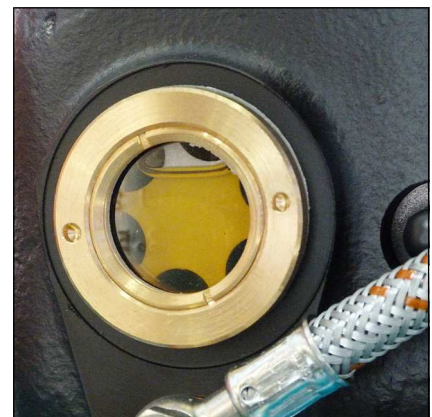
Warning

Check oil level daily. Never start the compressor with a too low oil level. Risk of accidental loss, destruction or deterioration.

Check oil before each operation of the system!

The oil level should be between the middle and upper end of the oil sight glass. Never start the compressor with a too low oil level.

Refill new compressor oil at least when the oil level reached the middle of the indicated area.



Oil sight glass

Oil change



Note

We recommend oil change at least once a year - depending on total operating hours.

A

Oil change as follows:

- Run compressor warm for approx. 2 min.
- Switch off and vent compressor.
- Place a suitable oil drain tray under the drain hose.
- Open carefully oil drain valve and drain oil completely.
- Close oil drain valve.
- Loosen oil fill port with an appropriate adjustable wrench (AF 0-40 mm) and unscrew manually.
- Fill oil by using a funnel.
- Check oil level. The oil level should be between the middle and upper end of the oil sight glass.
- Screw oil fill port manually in and tighten with the adjustable wrench.

The oil change is now completed.

Maintenance intervals

- First oil change after 25 operating hours (total hours).
- All further changes after each 1,000 operating hours.

Oil and oil capacity

Approx. 2,200 ml synthetic compressor oil is necessary for one oil change. Only use synthetic compressor oil which is recommended as suitable from L&W.

MAINTENANCE AND SERVICE

Oil sieve change

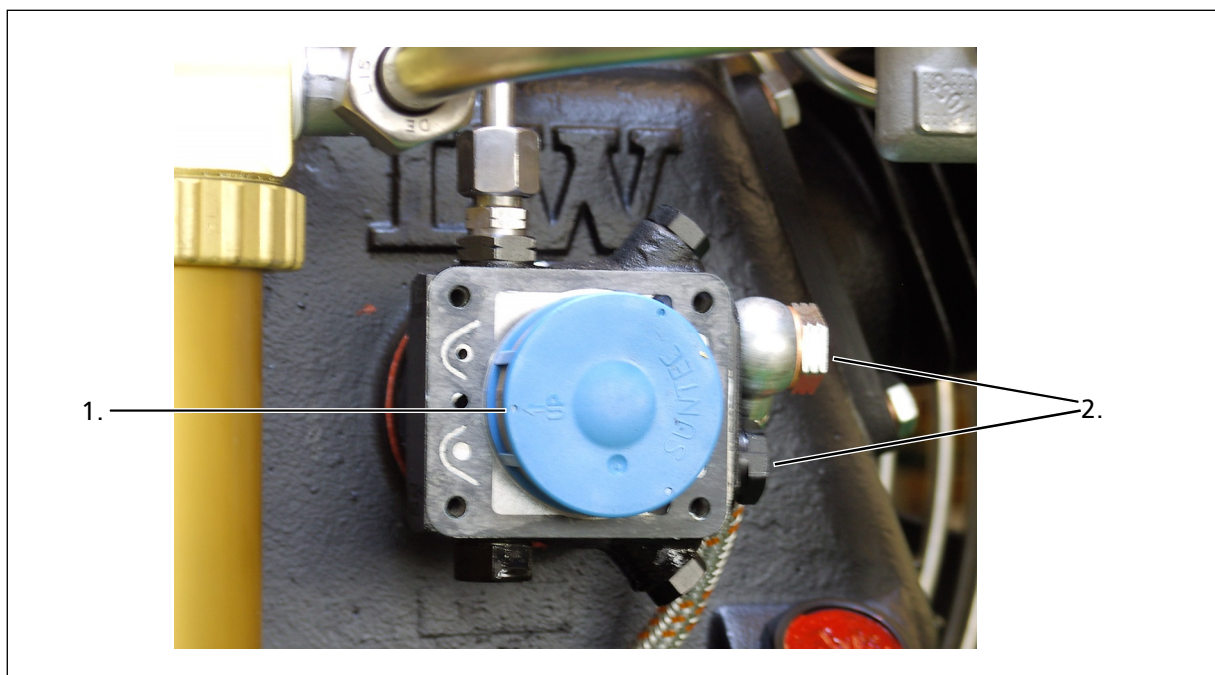
Oil sieve change as follows:

- Loosen cover screws (4 pcs).
- Remove the cover, the cover gasket and the oil sieve.
- Clean the oil sieve with petroleum-ether or replace the defective oil sieve.
- Replace the gaskets.
- Soak the gaskets with oil before placing (respect mounting direction).
- Be sure to position the arrow (see Fig., Pos. 1) from the new oil sieve opposite to inlet and return ports of the pump (see Fig., Pos. 2).
- Remount the cover with the 4 cover screws. Tightening torque: 4.5 - 8 N.

The oil sieve change is now completed.

Maintenance intervals

- We recommend cleaning or replacing the oil sieve every 1,000 working hours.
- Service Kit oil pump (002569). Consists of: 000798—Oil sieve + 000672—oil pump cover gasket



Correct oil sieve mounting direction

Final pressure switch



Note

Do not adjust the final pressure switch to the safety valve pressure. The final pressure switch has to be adjusted to min. 10 bar below the safety valve pressure. Otherwise, the safety valve can open during operation. This considerably reduces the life of the safety valve.

The pressure switch shuts off the compressor automatically when the selected final pressure is reached. The final pressure switch is already adjusted to the corresponding cut-out pressure.

The pressure can be adjusted with the upper adjusting screw as follows:

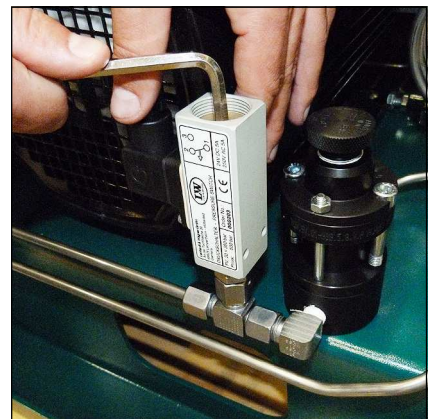
Increasing cut-out pressure:

Turn the adjusting screw clockwise

Reducing cut-out pressure:

Turn the adjusting screw anti-clockwise

Adjust the pressure switch in steps of a quarter turn. Restart the compressor after every adjustment step to verify the actual cut-out pressure.



Final pressure switch

Example settings:

| Safety valve | Max. Operating Pressure |
|--------------|-------------------------|
| 225 bar | 215 bar |
| 250 bar | 240 bar |
| 330 bar | 320 bar |

MAINTENANCE AND SERVICE

Automatic condensation dump system



Note

The collected condensate can contain oil and has to be disposed according to regulations.

The LW 450 E comes as standard with an automatic condensation dump system. Solenoids drain all condensate separators every 15 minutes.

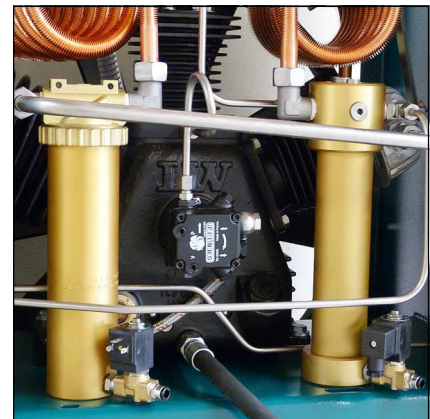
To test the system, press the blue condensate test drain button on the operating panel.

Oil / water separators

Condensate is separated after every stage of compression. All three oil / water separators are equipped with electronic timer controlled solenoids. The timer is located in the switch box and activates the dump valves about every 15 minutes.

To release the complete condensate through the black plastic hoses, we recommend using an 20 l container at least.

The drain noise can be kept to a minimum by using a silencer.



Oil / water separators 1st and 2nd stage

Maintenance intervals

We recommend to clean oil and water separators every 500 operating hours or at least once a year, to check for corrosion damage and to replace o-rings if necessary.

All oil / water separators have an integrated sinter filter which has to be replaced every 1,000 operating hours.



Oil / water separators final stage

Oil / water separator 1st stage - maintenance



Note

Clean all parts thoroughly before assembly.

Change / clean oil / water separators 1st stage as follows:

- Loosen pipe connections and mounting screws.
- Remove oil / water separators.
- Open ring nut and remove separator top (Fig. 1).
- Open nut and remove separator top (Fig. 2).
- Change sinter filter (Fig. 3).
- Reassemble all parts and tighten nut.
- Change o-ring, previously grease new o-ring (Fig. 4).
- Place separator top and tighten ring nut manually.
- Mount oil / water separators.
- Tighten pipe connections and mounting screws.

Oil / water separator maintenance is now completed.



Fig. 1 - Open ring nut and remove separator top



Fig. 2 - Loosen nut at the separator top



Fig. 3 - Change sinter filter



Fig. 4 - Change o-ring

MAINTENANCE AND SERVICE

Oil / water separators 2nd stage - maintenance



Note

Clean all parts thoroughly before assembly.

Maintenance / cleaning of oil / water separators 2nd stage as follows:

- Loosen pipe connections and mounting screws.
- Remove oil / water separators.
- Unscrew and remove filter top (Fig. 1).
- Open nut and remove separator top (Fig. 2).
- Change sinter filter (Fig. 3).
- Reassemble all parts and tighten nut.
- Change o-ring, previously grease new o-ring (Fig. 4).
- Place separator top and tighten manually.
- Remove bottom part (Fig. 5)
- Change o-ring, previously grease new o-ring
- Press in bottom part
- Mount oil / water separators.
- Tighten pipe connections and mounting screws.

The oil / water separator maintenance is now completed.



Fig. 1 - Unscrew and remove filter top

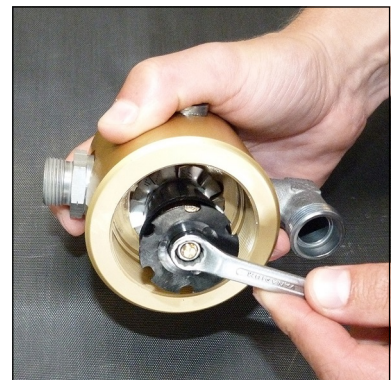


Fig. 2 - Loosen nut at the separator top

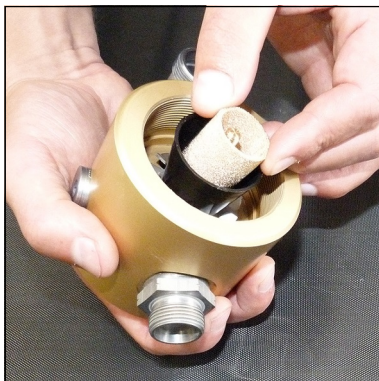


Fig. 3 - Change sinter filter

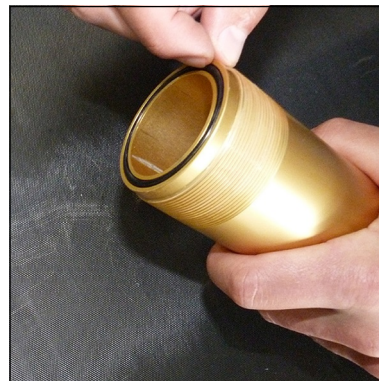


Fig. 4 - Change o-ring



Fig. 5 - Bottom part

MAINTENANCE AND SERVICE

Oil / water separators final stage - maintenance



Note

Clean all parts thoroughly before assembly.

Change/clean oil / water separators final stage as follows:

- Loosen pipe connections and mounting screws.
- Remove oil / water separators.
- Open ring nut and remove separator top (Fig. 1).
- Loosen nut at the separator top.
- Change sinter filter (Fig. 2).
- Reassemble all parts and tighten nut.
- Change o-ring, previously grease new o-ring (Fig. 3).
- Place separator top and tighten ring nut manually.
- Replace silencer.
- Mount oil / water separators.
- Tighten pipe connections and mounting screws.

The oil / water separator maintenance is now completed.



Oil / water separators final stage



Fig. 1 - Loosen ring nut

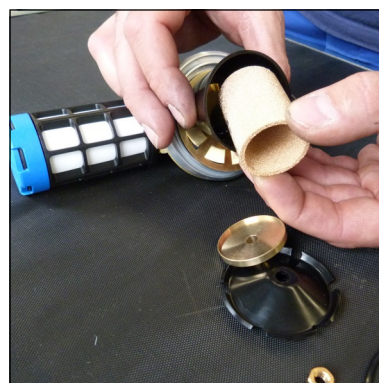


Fig. 2 - Change sinter filter



Fig. 3 - Change o-ring

Pneumatic condensate valve - maintenance



Note

Clean all parts thoroughly before assembly.

Pneumatic condensate valve change as follows:

- Loosen pipe connections and mounting screws.
- Remove pneumatic condensate valve.
- Loosen connection (Fig. 2).
- Change sinter filter (Fig. 3).
- Tighten horizontal screw.
- Mount pneumatic condensate valve.
- Tighten pipe connections and mounting screws.

Pneumatic condensate valve maintenance is now completed.



Pneumatic Condensate Valve

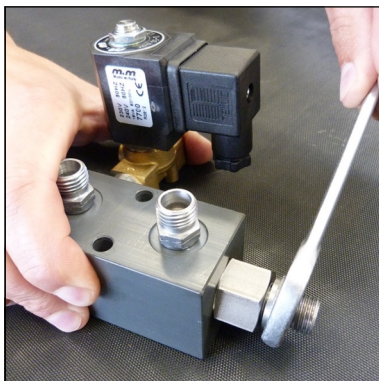


Fig. 2 - Loosen connection

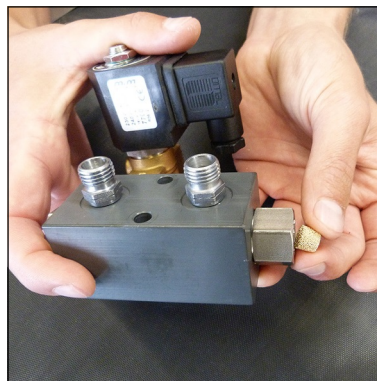


Fig. 3 - Change sinter filter

MAINTENANCE AND SERVICE

Filter housing

The black mole carbon filter housing is installed inside the compressor housing.

Inside the filter housing a jet blows air on to the housing wall. Condensation water and oil are led by centrifugal force to the bottom of the housing. Air flows through the mole carbon filter cartridge, which purifies the air from residual moisture and odours.



Fig - Filter housing



Caution

Do not run the compressor with empty unfilled cartridges.
Only use genuine L&W cartridges.

| P/N | Model | Filtering | Filter Volume |
|--------|-------------|------------------------------|---------------|
| 000002 | LW SC-400 E | DIN EN 12021 (Breathing Air) | 0,98 ltr |
| 000002 | LW SC-480 E | DIN EN 12021 (Breathing Air) | 0,98 ltr |
| 000002 | LW SC-550 E | DIN EN 12021 (Breathing Air) | 0,98 ltr |

Filter cartridge

The high-pressure compressor is equipped with an integrated breathing air purification system. Air is compressed up to 350 bar, dried and odour- and tasteless purified. Oil residues are bounded.

The breathing air filter cartridge consists of a molecular sieve and activated-carbon filter.

All breathing air filter cartridges are factory vacuum sealed.

We recommend unpacking the filter cartridges just before installation. Filter cartridges which are exposed too long could be saturated with moisture and become unusable.

Maintenance intervals

Filter cartridges should be changed at the following intervals, at +20°C or more often, depending on humidity and ambient temperature:

Standard life time at 20°C:

- 37,5 hours for LW SC-400 E
- 31,25 hours for LW SC-480 E
- 27,0 hours for LW SC-550 E

MAINTENANCE AND SERVICE



Caution

Do not run the compressor with empty unfilled cartridges.
Only use genuine L&W cartridges.

A

Filter cartridge change

Change filter cartridge as follows:

- Stop the compressor and check the air is completely drained. Wait till the filter housing is completely vented; this procedure takes approx. 1 - 2 minutes
- When no air discharges from the condensate release hoses, the pressure vessels are depressurized.
- Remove the end filter topcap (Fig. 1). Remove the filter cover by using the filter tool. The housing can not be opened if still under pressure.

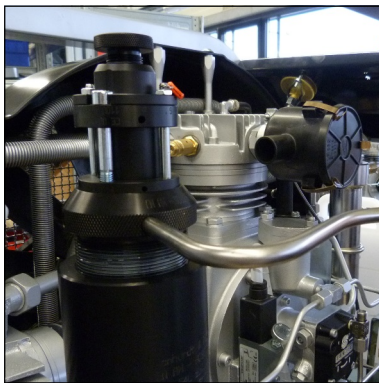


Fig. 1 - Loosen filter housing topcap by using the filter tool

- After opening the housing, pull out the filter cartridge by using the filter tool (Fig. 2).
- Remove adapter from used cartridge.
- Open the vacuum sealed packet of the new filter cartridge and carefully place it into the filter housing (press slightly).
- Put on filter adapter (Fig. 3) on new cartridge. Use spanner to make sure adapter is sealing to cartridge bottom. Insert filter cartridge (incl. installed filler adapter).
- Fully turn in filter housing topcap in by using the filter tool and turn it back 1/4 turn. This avoids tightening of the topcap due to vibration.
- **The filter cartridge change is now completed.**



Fig. 2 - Pull out the filter cartridge by the catch and insert a new cartridge



Fig. 3 - Filter adapter

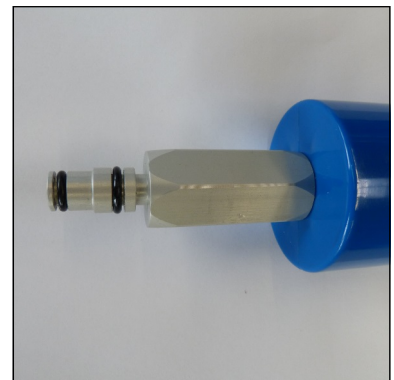


Fig. 4 - Installed filler adapter



Note

Ensure that the old filter cartridge is disposed correctly at an approved waste point.

Filter housing - maintenance



Note

Clean all parts thoroughly before assembly.

Filter housing maintenance as follows:

- Unscrew filter housing cover by using the filter tool (Fig. 1).
- Change o-ring, previously grease new o-ring (Fig. 2)
- Screw the filter housing cover in by using the filter tool (Fig. 1).

The filter housing maintenance is now completed.



Fig. 1 - Remove/screw in filter cover



Fig. 2 - Change o-ring

Inlet Filters



Note

Dirty filters make intaking air difficult and reduce delivery capacity. Risk of compressor overheating.

A micro filter cartridge is used as an air inlet filter. Check air inlet filter regularly or replace if necessary. Defective air inlet filters should be immediately replaced.

Maintenance Intervals

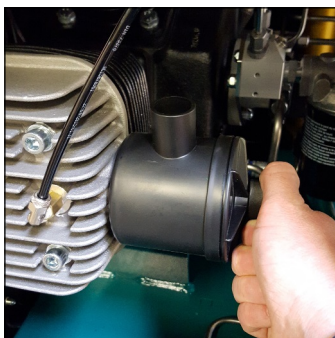
We recommend that the filter cartridge should be replaced every 1,000 working hours (depending on pollution grade).

Inlet Filter Cartridge Change

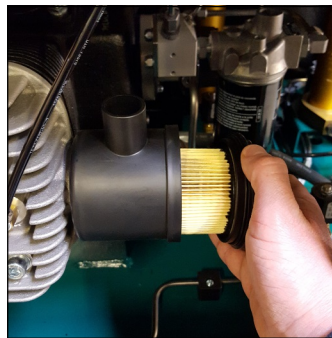
Inlet filter cartridge change as follows:

- Loose nut (Fig.1)
- Remove cover and replace filter cartridge by a new one (Fig.2)
- Assemble intake filter
- Tighten nut

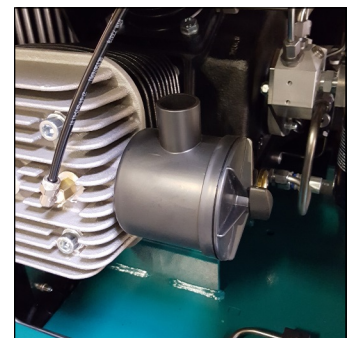
The inlet filter cartridge change is now completed.



(Fig.1) Loose nut



(Fig.2) Remove cover and replace filter cartridge



(Fig.3) Mount the intake filter

MAINTENANCE AND SERVICE

Cylinder heads and valves

Inlet and outlet valves of the specific compressor stages are located between valve head and cylinder. Outlet valves open while piston downstroke, inlet valves open while upstroke or compression stroke.

Valves are subject to normal wear and tear and have to be replaced at certain intervals (depending on specific operating conditions). Dismount valve heads to change valves. The three valves are combined inlet and outlet valves. The first and second stage valves are plate valves. The third stage contains a spring operated piston which acts inside a bronze cylinder.



Valve head 3rd stage

Maintenance intervals

All valves should be replaced after 4,000 working hours due to normal wear and tear. To replace valves the cylinder heads have to be removed. There are no special tools required to replace these valves.

Available special tools

Special tools are not necessary for dismounting inlet and outlet valves but make work easier.

Order number: 006847



Special tool

Replace inlet and outlet valves 1st and 2nd stage



Note

The figures of the parts can differ due to the different stages.

Change inlet and outlet valves 1st and 2nd stage as follows:

Remove Inlet / Outlet Valve

- Loosen pipe connections
- Loosen valve head screws (Fig. 1)
- Remove valve head
- Pull out inlet and outlet valve (Fig. 2). CAUTION: Observe that the lower copper valve ring is also pulled out. (It can still stick inside the cylinder)
- Check valve head if defective

Install Inlet / Outlet Valve - see following page

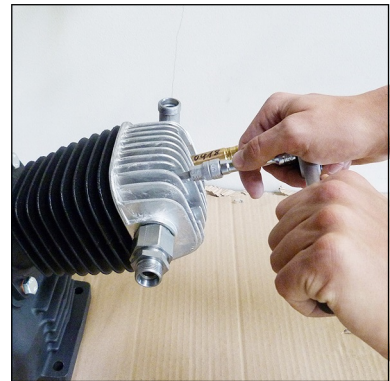


Fig. 1 - Loosen valve head screws



Fig. 2 - Pull out inlet and outlet valve

Replace inlet and outlet valves 1st and 2nd stage - continued from previous page

A



Caution

The exact alignment of upper and lower valve gasket is very important. Inlet and outlet channels have to be exactly centred. Do not turn inlet and outlet valve after insertion. The copper valve ring could cover outlet channels.

Install Inlet / Outlet Valve

- Grease the lower valve gasket slightly and place on the new inlet and outlet valve.
CAUTION: Observe correct copper valve ring position (centre inlet and outlet channels).
- Place the new inlet and outlet valve straightly into the cylinder (Fig. 3).
CAUTION: Do not turn the inlet and outlet valve inside the cylinder! The copper valve ring could cover outlet channels!
- Place the upper valve gasket on the inlet and outlet valve.
CAUTION: Observe the correct paper gasket position (centre inlet and outlet channels). (Fig. 4)
Note: Valve head screws can be inserted into the valve head to secure the upper valve gasket.
- Refit the valve head and tighten the valve head screws crosswise.

Starting torques:

1st Stage 45 Nm

2nd Stage 30 Nm

The replacement inlet and outlet valves 1st and 2nd stage is now completed.

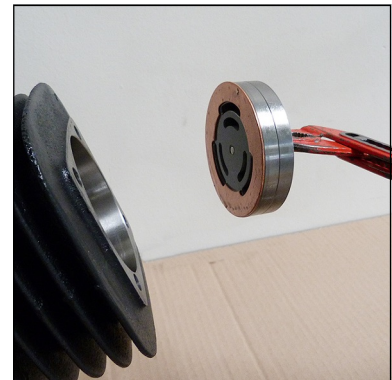


Fig. 3 - Place new inlet and outlet valve straightly into cylinder



Fig. 4 - Ensure the correct mounting position of the paper gasket

MAINTENANCE AND SERVICE

Replacement inlet and outlet valves 3rd stage

Replacement inlet and outlet valves 3rd stage as follows:

- Loosen pipe connections
- Loosen valve head screws (Fig. 1)
- Remove lower valve gasket (Fig. 2)
- Dismount inlet and outlet valve (Fig. 3). Observe that the upper valve gasket is also pulled out. (It can still stick inside the cylinder head)
- Check valve head if defective (check centre pin)
- Mount valve gasket on inlet and outlet valve.
CAUTION: Ensure correct mounting position of the upper valve gasket (Fig. 4).
- Insert new inlet and outlet valve into valve head.
CAUTION: Observe correct position between valve centre hole and valve head centre pin.
- Place bottom valve gasket
- Place valve head with the new inlet and outlet valve. Tighten valve head screws crosswise (tightening torque 30 Nm).

Replacement inlet and outlet valves 3rd stage complete.

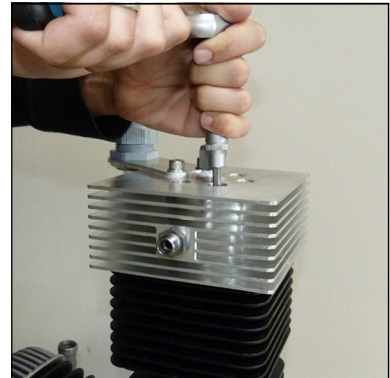


Fig. 1 - Loosen valve head screws



Fig. 2 - Remove lower valve gasket

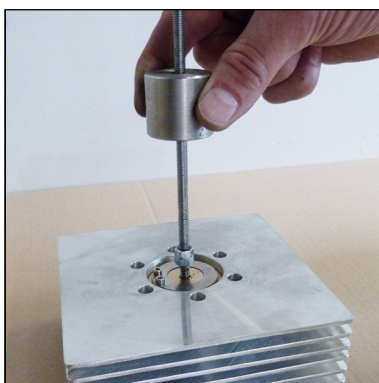


Fig. 3 - Remove inlet and outlet valve

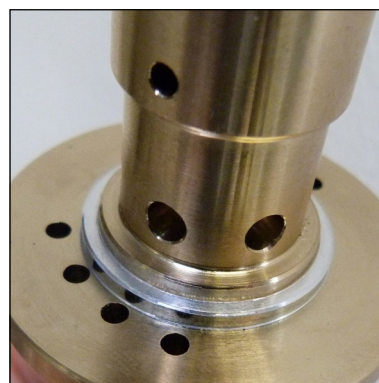


Fig. 4 - Ensure correct mounting position of the upper valve gasket

A

MAINTENANCE AND SERVICE

O-rings - filling valve and filling hose

Check o-rings from filling valve and filling hose regularly and change if necessary.



Note

Clean all parts thoroughly before assembly.

O-ring at the filling valve

- Change o-ring, previously grease new o-ring (Fig. 1)

O-ring at the filling hose

- Remove filling hose from the filling valve (Fig. 2)
- Change o-ring, previously grease new o-ring
- Connect filling hose to the filling valve and tighten



Fig. 1 - O-ring at the filling valve



Fig. 2 - O-ring at the filling hose

MAINTENANCE AND SERVICE

Safety valves

Every pressure stage is equipped with a separate over pressure safety valve. Safety Valves avoid a non permissible high pressure at the specific pressure stages and limit maximum operation pressure of the compressor.

Safety valves are adjusted to:

- 1st Stage: 8 bar
- 2nd Stage: 50 bar
- 3rd Stage: max. final pressure

The adjusted blow-off pressure [bar] of the safety valves is indicated on their housings.

All safety valves are factory sealed with special L&W safety seals to avoid manipulation of the limit value settings.

Safety valves with removed seals have to be immediately checked for the prescribed settings and replaced if necessary.

The safety valve of the final stage is furthermore equipped with a knurled screw to be activated once.

Turning the knurled screw clockwise could vent the valve completely and therefore the final filter housing.

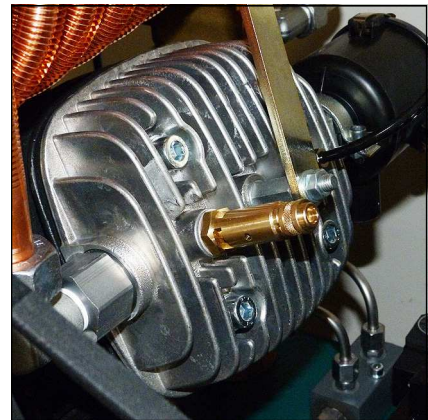
During normal operation conditions, the knurled screw has to be turned anti-clockwise up to the upper stop. An integrated circlip avoids complete unscrewing.

If a safety valve blows off, it indicates problems with either inlet or outlet valve of the following stage.

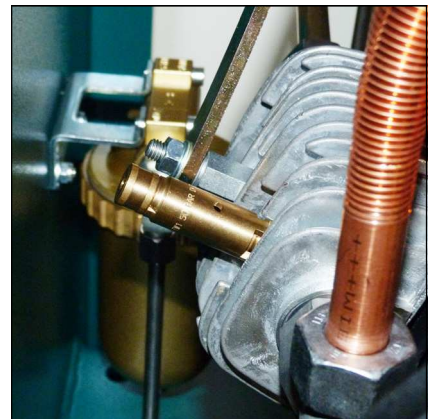


Note

Replace defective safety valves immediately!



Safety valve 1st stage



Safety valve 2nd stage



Safety valve 3rd stage

A

Pressure maintaining / non return valve

The pressure maintaining / non return valve combination is placed in the flow direction after the final filter housing.

Pressure maintaining valve

The pressure maintaining valve drains a large part of the water content of the compressed air mechanically by ensuring the minimum outlet pressure. This guarantees optimal drying and purification of the breathing air.

After starting the compressor, the pressure inside the final filter housing constantly increases. The pressure maintaining valve prevents the compressed air from blowing off (final pressure gauge = 0 bar).

When the adjusted opening pressure is reached (160 bar), the purified compressed air flows via pressure maintaining and non return valve to the filling valves.

The value of the opening pressure of the pressure maintaining valve can be read at the final pressure gauge. When opening pressure is reached, the pressure gauge value increases within a few seconds.

Adjust pressure maintaining valve see next page.

Non return valve

The non return valve which is placed after the pressure maintaining valve, prevents the purified breathing air from flowing back into the filter housing / condensate drain valves.

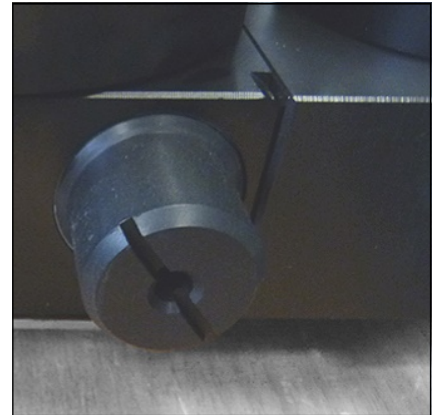


Fig. - Pressure maintaining / non return valve

A

Adjust pressure maintaining valve

- Vent filling valve and close afterwards (filling pressure gauge 0 bar)
- Start the compressor
- Observe filling pressure gauge
- When the opening pressure of the pressure maintaining valve is reached, the indicated filling pressure increases within some seconds from 0 bar up to the adjusted opening pressure.

If the opening pressure does not reach a value at 160 bar, adjust the pressure maintaining valve as follows:

Increase opening pressure:

- Vent filling valve (filling pressure 0 bar)
- Loosen clamp screw on the side
- Turn adjusting screw clockwise by using a suitable slotted screwdriver
- Start compressor and check opening pressure, adjust if necessary
- Tighten clamp screw on the side
- Check opening pressure again

Reduce opening pressure:

- Vent filling valve (filling pressure 0 bar)
- Loosen clamp screw on the side
- Turn adjusting screw anti-clockwise by using a suitable slotted screwdriver
- Start compressor and check opening pressure, adjust if necessary
- Tighten clamp screw on the side
- Check opening pressure again



Note

If the adjusted opening pressure of the pressure maintaining valve is higher than the final pressure of the compressor, the final pressure safety valve blows off before pressure maintaining valve opens (final pressure = 0 bar). When valve settings are not clear (e.g. after disassembly / repair), start the adjustment with a low basic setting (turn adjusting bolt 3 full turns in).

Safety valve test



Note

Do not fill any tank during test phase!

Safety valve test as follows:

- Depressurise the system.
- Turn the adjusting screw of the final pressure switch one turn clockwise (please see chapter "Final pressure switch", page A-47).
- Start the compressor.
- Watch the final pressure gauge. The safety valve should open when reaching working pressure of the compressor. If not, switch off the unit and take out of service until the safety valve has been replaced.
- Switch off the compressor.
- Turn the adjusting screw of the final pressure switch back (one turn counterclockwise).
- Check the cut-out pressure. Adjust if necessary!



Pressure switch

The safety valve test is now completed.

Leak test

**Note**

Do not fill any tank during test phase!

**Note**

Two person are recommended for the test!

Leak test as follows:

- Close filling valves.
- Start the compressor.
- Press the OFF-switch and hold on the button.
- Verify the compressor for release noises. (A slight hiss of the air inlet filter nozzle can be ignored). If release noises occur, localise blow off position(s).
- Release the OFF-switch.

The leak test is now completed.



OFF-switch



MAINTENANCE AND SERVICE

A

Test of Pressure Equipment

According to the Pressure Equipment Directive 2014/68/EU and TÜV Darmstadt (German supervising authorities).

Subject: pressure equipment with a product permissible operating pressure [bar] x content volume [litres] from 200 up to 1000.

Example: LW SC-400 E / LW SC-480 E / LW SC-550 E : Filter housing 0.54 l

Maximum operating pressure: 350 bar

Content volume: 0.98 litres

350 bar x 0.98 litres = 343

343 is more than the minimum of 200 -> therefore must test by a licensed expert is required.

1. Examination after 5 years by a qualified person or authorized organisations.

Visual inspection, inside and outside.

2. Examination after 10 years by a qualified person or authorized organisations.

Visual inspection, inside and outside.

In addition, a water pressure test is carried out at 1.5 times of the permissible vessel operating pressure.

The test methods described in point 1 and 2 must be repeated periodically - as described above.

Max. numbers of load cycles for operation with max. allowable pressure variation

| Final pressure [bar] | Load cycles | Operating hours [h] |
|----------------------|-------------|---------------------|
| 350 | 35.000 | 8.750 |



Caution

The filter container (P/N: 010706) has to be replaced after 15 years!



A

MAINTENANCE RECORDS



MAINTENANCE RECORDS

Introduction form for the Operator

| No. | Surname, Name | Date | Place | Signature | Instructor |
|-----|---------------|------|-------|-----------|------------|
| | | | | | |
| | | | | | |
| | | | | | |
| | | | | | |
| | | | | | |
| | | | | | |
| | | | | | |
| | | | | | |
| | | | | | |
| | | | | | |
| | | | | | |
| | | | | | |
| | | | | | |
| | | | | | |
| | | | | | |

A

By adding themselves to this list, the person that signs it confirms having been given a yearly introduction/instruction about the function and operation of the compressor unit. Furthermore, they have been informed about the relevant safety rules and regulations (TRG, DGRL, BetrSichV, GSG, GSGV).



MAINTENANCE RECORDS

Cartridge change

A

| Date | Operating hours | Difference | Name |
|------|-----------------|------------|------|
| | | | |
| | | | |
| | | | |
| | | | |
| | | | |
| | | | |
| | | | |
| | | | |
| | | | |
| | | | |
| | | | |
| | | | |
| | | | |
| | | | |
| | | | |
| | | | |
| | | | |
| | | | |
| | | | |
| | | | |
| | | | |

STORAGE

Conservation / storage of the compressor

If the compressor unit is not to be used for an extended period of time, we recommend to carry out the following work before storage time:

- Run the compressor at 200 bar filling pressure for approximately ten minutes (control the flow with the filling valve to maintain constant pressure).
- Replace compressor oil, open filling valve(s) and run compressor for a few minutes.
- Stop compressor and open drain valves (depending on the compressor type, this may happen automatically). Remove top cap of final filter housing: clean throat, grease o-ring and throat with a food grade grease or silicone grease. Close filter housing.
- Remove intake filter cartridge and undo intake pipes on all valve heads.
- Start compressor unit. Spray a few drops of compressor oil into intake connectors.
- Stop compressor unit and insert intake filter cartridge. Bring intake pipes back in position and fix connections and nuts. Close filling- and drain valves.
- Store the compressor in a cool dry place free from dust and contamination. A dust cover is recommended as long as condensation can be avoided.
- If compressor unit should be stored for a period of more than one year, an oil change is strongly recommended before it's been re-used.
- Fuel driven units only: fill up fuel tank to top level to avoid corrosion.

De-conservation, commissioning

After the compressor has been stored, the following steps are to be taken:

- If compressor hasn't been used for longer than 12 months, we strongly recommend an oil change before any use.
- Replace intake filter cartridge and check oil level.
- Clean compressor unit, check for foreign objects. Check condition and tension of V-belts, replace if necessary. Check condition of filling hoses, replace if necessary.
- Secure hoses against whipping and open filling valves and run compressor for approximately 10 minutes.
- Check condition of final filter cartridge, replace if necessary.
- Close filling valves and run compressor up to final pressure.
- Check safety valve relief pressure of final stage and/or pressure switch setting.
- Check all connections and pipe work for leaks.

Once all above steps are completed, compressor unit is now ready for use.

STORAGE

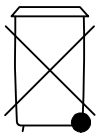
Transportation instructions

- Parts which need to be dismantled for transport purposes must be carefully replaced and secured before taking into operation.
- The transport may only be carried out by trained personnel.
- For transportation, only use lifting devices and equipment with sufficient lifting power.
- Do not stand or work under suspended loads.
- Also separate from minor relocation machinery / system of any external energy supply. Before recommissioning, reconnect the machine to the mains according to regulations.
- When recommissioning, proceed according to the operating instructions..

Disposal

The product must be disposed in accordance with national waste disposal regulations and by an appropriate waste disposal company.

Electric and electronic components



EU-wide regulations for the disposal of electric and electronic appliances which have been defined in the EU Directive 2002/96/EC and in national laws are effective from August 2005 and apply to this device.

Common household appliances can be disposed by using special collecting and recycling facilities. However, as this device has not been registered for household usage, it must not be disposed of through these means.

The device can be returned to L&W. Please do not hesitate to contact us if you have any further questions on this issue.



**ERSATZTEILLISTEN / SPARE PARTS LISTS
DETAILANSICHTEN / DETAILED VIEWS**

C



INHALTSVERZEICHNIS / CONTENTS

| | |
|------------------------------------------------------------------------|----|
| Gehäuse / Housing | 4 |
| Schalttafel / Control Board | 6 |
| Kompressorblock / Compressor Block | 7 |
| Kurbelwelle / Crankshaft | 11 |
| Kolben 1. Stufe / Piston 1st Stage | 13 |
| Kolben 2. Stufe / Piston 2nd Stage | 14 |
| Kolben 3. Stufe / Piston 3rd Stage | 15 |
| Saug- und Druckventil 1.Stufe / In- and Outlet Valve 1st Stage | 17 |
| Saug- und Druckventil 2.Stufe / In- and Outlet Valve 2nd Stage | 18 |
| Saug- und Druckventil 3.Stufe / In- and Outlet Valve 3rd Stage | 19 |
| Ventil 3.Stufe / Valve 3rd Stage | 21 |
| Öl- Wasserabscheider 1.Stufe / Oil- Water Separator 1st Stage | 20 |
| Öl- Wasserabscheider 2.Stufe / Oil- Water Separator 2nd Stage | 22 |
| Öl- Wasserabscheider Endstufe / Oil- Water Separator Final Stage | 24 |
| Filtergehäuse 0,98 l / Filter Housing 0,98 ltr | 26 |
| Kühler 1.Stufe / Cooler 1st Stage | 29 |
| Kühler 2.Stufe / Cooler 2nd Stage | 31 |
| Kühler 3.Stufe / Cooler 3rd Stage | 33 |
| Pneumatisches Kondensatventil / Pneumatic Condensate Valve | 35 |
| Druckschalter / Pressure Switch | 37 |
| Magnetventile / Solenoid Valves | 38 |
| Sicherheitsventil / Safety Valve | 39 |
| Ansaugfilter / Air Intake Filter..... | 41 |
| Verteilerklotz / Dispatcher Block | 42 |
| Ölpumpe / Oil Pump | 43 |
| Ölablassschlauch / Oil Drainage Tube | 44 |



INHALTSVERZEICHNIS / CONTENTS

| | |
|-------------------------------|----|
| Motor / Motor | 45 |
| Lüfterrad / Cooling Fan | 47 |

C

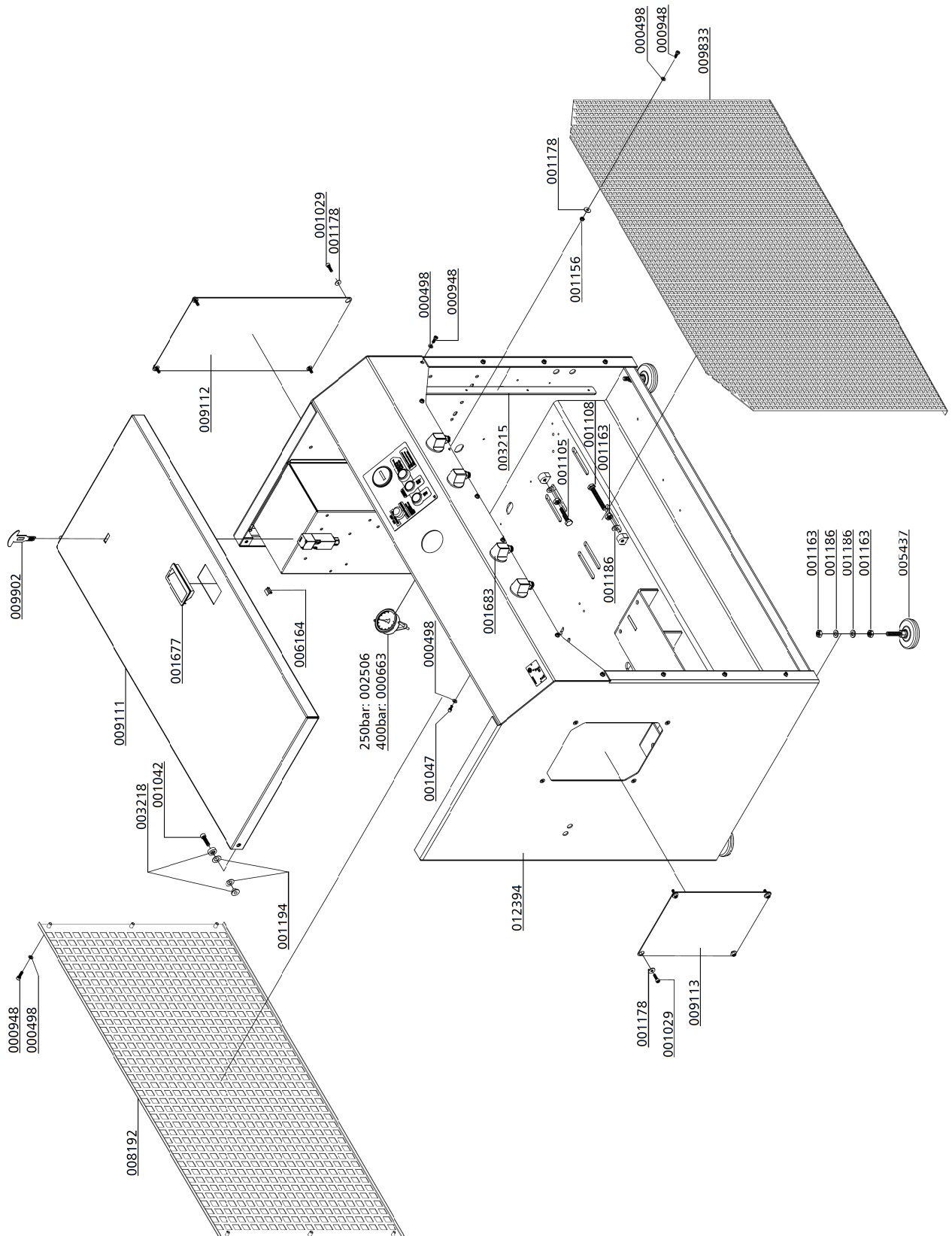
ERSATZTEILLISTE / SPARE PART LIST

Gehäuse / Housing

| Best.-Nr. / Order No. | Benennung | Description |
|-----------------------|------------------------------------------|--------------------------------------|
| 000498 | U-Scheibe A6 | Washer A6 |
| 000663 | Einbaumanometer mit Befestigungsbügel | Press. Gauge c/w fixing strap |
| 000948 | Flachkopfschraube M6x16mm DIN6912 8.8 ZN | Pan Head Bolt M6x16mm DIN6912 8.8 ZN |
| 001029 | Zylinderschraube M6x20mm DIN912 8.8 ZN | Allen Bolt M6x20mm DIN912 8.8 ZN |
| 001042 | Zylinderschraube M8x30mm DIN912 8.8 ZN | Allen Screw M8x30mm DIN912 8.8 ZN |
| 001047 | Zylinderschraube M6x12mm DIN912 8.8 ZN | Allen Bolt M6x12mm DIN912 8.8 ZN |
| 001105 | 6-kant Schraube M10X60mm DIN933 8.8 ZN | Hexagon Bolt M10X60mm DIN933 8.8 ZN |
| 001108 | 6-kant Schraube M10x80mm DIN933 8.8 ZN | Hexagon Bolt M10x80mm DIN933 8.8 ZN |
| 001156 | Stopfmutter M6 DIN985 ZN | Lock Nut M6 DIN985 ZN |
| 001163 | Mutter M10 DIN934 ZN | Nut M10 DIN934 ZN |
| 001178 | U-Scheibe A6 | Washer A6 |
| 001186 | U-Scheibe A10 | Washer A10 |
| 001194 | Federscheibe (Klappdeckel E-Gehäuse) | Wave Spring Washer A12 |
| 001677 | Griffschale PVC-Schwarz | Plastic Snatch, PVC, black |
| 001683 | Schlauchanschlussstück G1/4", Alu | Alloy Hose Connector G1/4" |
| 002506 | Einbaumanometer 0-250bar | Pressure Gauge 0-250bar |
| 003215 | Klemmleiste Frontgitter | Terminal strip front guard |
| 003218 | Buchsen Deckelbefestigung | Fixing kit for casing cover |
| 005437 | Standfuß, Höhenverstellbar | Foot, Height adjustable Ø80 mm |
| 006164 | Befestigungsklammer Griffschale | Clip for Moulded Recess |
| 008192 | Schutzgitter, hinten | Rear Grating - zinc plated |
| 009111 | Klappdeckel | Cover Lid |
| 009112 | Elektrodeckel | Electro Cover |
| 009113 | Wartungsdeckel | Maintenance Cover |
| 009833 | Frontgitter, vorne | Front Grating - zinc plated |
| 009902 | Steckschlüssel Personenschutzschalter | Key safety switch |
| 012394 | Grundkonsole LW SC-550 E | Housing LW SC-550 E |

DETAILANSICHT / DETAILED VIEW

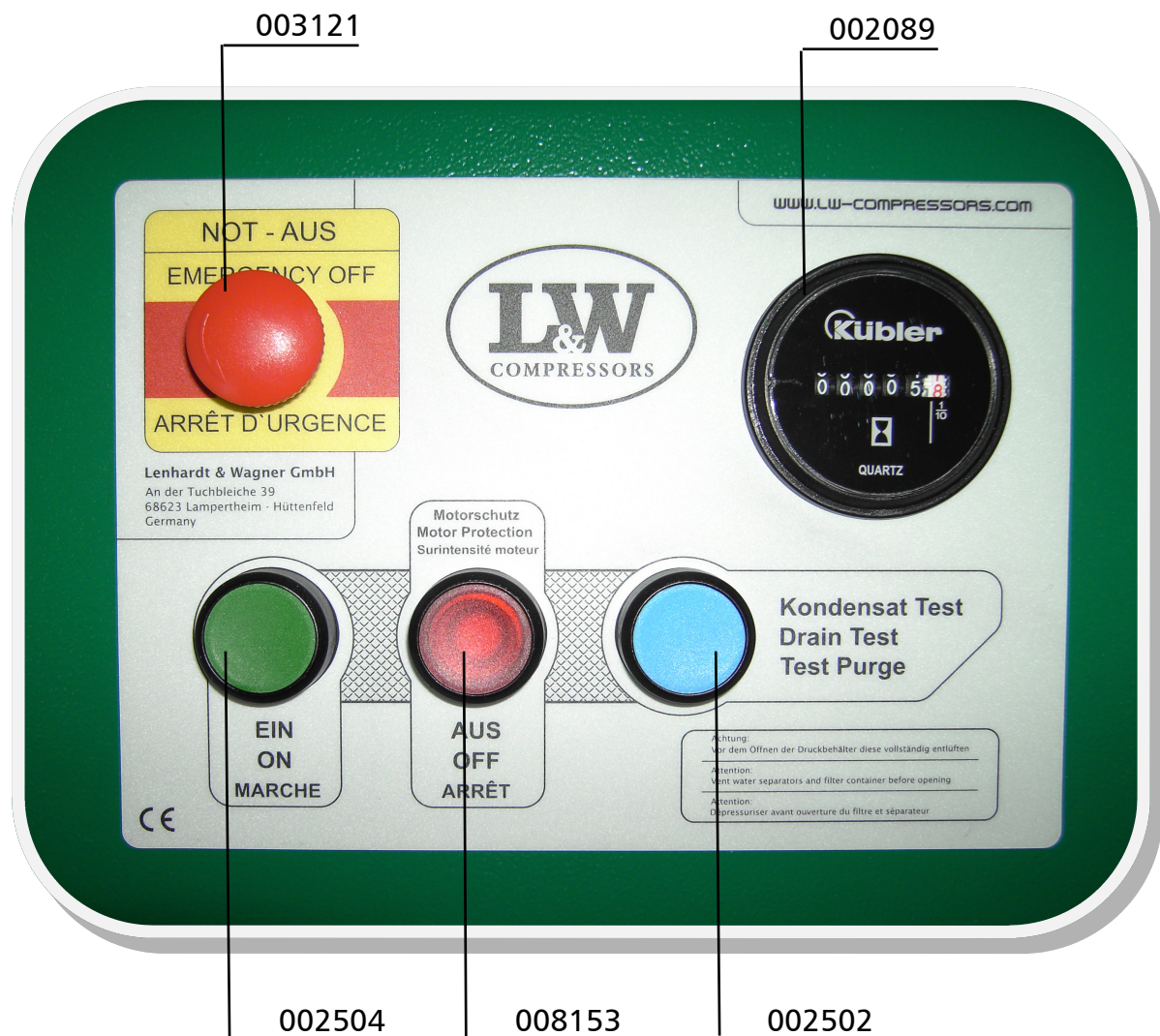
Gehäuse / Housing



ERSATZTEILLISTE / SPARE PART LIST

Schalttafel / Control Board

| Best.-Nr. / Order No. | Benennung | Description |
|-----------------------|----------------------------------------------------------|------------------------------------------------------------|
| 002089 | Betriebsstunderzähler 230V | Hour Counter 230V |
| 002502 | Taster blau (komplett inkl. Halterung und Schließer) | Blue button (complete with braket and closing contact) |
| 002504 | Taster grün (komplett inkl. Halterung und Schließer) | Green button (complete with braket and closing contact) |
| 003121 | Not-Halt Schalter | Emergency switch |
| 008153 | Taster rot (komplett inkl. Halterung, Schließer und LED) | Red button (complete with braket, closing contact and LED) |





ERSATZTEILLISTE / SPARE PART LIST

Kompressorblock / Compressor Block

| Best.-Nr. / Order No. | Benennung | Description |
|-----------------------|---------------------------------------|--------------------------------------------------|
| 000180 | Ölschlauchstutzen | Oil hose clip |
| 000209 | Öleinfüllstopfen | Oil Filler Plug |
| 000220 | Sicherheitsventil G3/8", 8bar | Safety valve G3/8", 8bar |
| 000225 | Sicherheitsventil G3/8", 50bar | Safety valve G3/8", 50bar |
| 000239 | Kugellager 450/570, 6308 C3 | Ball Bearing 6308 C3 |
| 000240 | Dichtung Zylinderflansch / Block | Paper Gasket Cylinder Flange |
| 000241 | Dichtung Lagerflansch | Gasket bearing flange |
| 000243 | Lagerring | Bearing bush |
| 000244 | Wellendichtung 40x72x10mm | Shaft Seal 40x72x10mm |
| 000250 | CU-Ring Ø6,2 x 10 x 1,5mm DIN7603A | Copper Washer Ø6,2 x 10 x 1,5mm DIN7603A |
| 000253 | Untere Ventildichtung 2.Stufe | Lower valve gasket 2nd stage |
| 000254 | Obere Ventildichtung 2.Stufe | Upper valve gasket 2nd stage |
| 000257 | Obere Ventildichtung 1.Stufe | Upper valve gasket 1 st stage |
| 000258 | Untere Ventildichtung 1.Stufe, Kupfer | Lower valve gasket 1 st stage, copper |
| 000270 | Ventilkopf 2.Stufe | Valve head 2nd stage |
| 000273 | Lagerdeckel | Main Bearing Flange |
| 000274 | Zylinder Æ42mm | Cylinder Æ42mm |
| 000344 | Führungszylinder Ø50mm | Guide Cylinder Ø50mm |
| 000412 | O-Ring, Ölsaugschraube 33 x 3 NBR 70 | O-Ring, 33 x 3 NBR 70 |
| 000711 | Verschraubung GE 06L R1/8" | Connection GE 06L R1/8" |
| 000738 | Verschraubung GE 08 PLR 1/4" | Connection GE 08 PLR 1/4" |
| 000759 | Verschraubung WE 08 LL R 1/8" | Connection WE 08 LL R 1/8" |
| 000761 | Verschraubung WE 08 PLR CFX 1/4" | Elbow Connection WE 08 PLR CFX 1/4" |
| 000765 | Schneidring 8mm PSR 08 LX | Olive Seal PSR 08 LX |
| 000767 | Mutter 08 S M16x1,5 IG | Union Nut 08 S M16x1,5 IG |
| 000817 | Verschraubung GE15LR3/8CFX | Connection GE15LR3/8CFX |
| 000818 | Verschraubung GE 15L R1/2" | Connection GE 15L R1/2" |
| 000863 | Verschraubung WE 18L R A3C | Elbow Connection WE 18L R A3C |
| 000919 | Reduzierung RI3/4X1/2CFX | Reducer RI3/4X1/2CFX |

ERSATZTEILLISTE / SPARE PART LIST

Kompressorblock / Compressor Block

| Best.-Nr. / Order No. | Benennung | Description |
|-----------------------|-----------------------------------------|-----------------------------------------|
| 000951 | Sechskantschraube M6x16 DIN 933 8.8 | Hexagon screw M6x16 DIN 933 8.8 |
| 000961 | Stiftschraube M8x25mm DIN939 | Threaded Stud M8x25mm DIN939 |
| 001056 | Zylinderschraube M8x60 DIN 912 8 | Allen bolt M8x60 DIN 912 8.8 ZN |
| 001058 | Zylinderschraube M8x70 DIN 912 | Allen bolt M8x70 DIN 912 8.8 ZN |
| 001060 | Zylinderschraube M8x80 DIN 912 | Allen bolt M8x80 DIN 912 8.8 ZN |
| 001088 | Zylinderschraube M10x60 DIN 912 | Allen bolt M10x60 DIN 912 8.8 ZN |
| 001100 | Sechskantschraube M10x25 DIN 933 | Hexagon screw M10x25 DIN 933 8.8 ZN |
| 001101 | Sechskantschraube M10x35 DIN933 | Hexagon Screw M10x35 DIN933 8.8 ZN |
| 001104 | Sechskantschraube M10x50 DIN933 | Hexagon screw M10x50 DIN933 8.8 ZN |
| 001181 | U-Scheibe A8 DIN 125 ZN | Washer A8 DIN 125 ZN |
| 001188 | U-Scheibe A10 DIN 125 ZN | Washer A10 DIN 125 ZN |
| 001274 | O-Ring 50 x 2,5 NBR70 | O-Ring 50 x 2,5 NBR70 |
| 001323 | Kupferring Ø10x16x2 DIN7603A | Copper seal ring Ø10x16x2 DIN7603A |
| 001346 | Sicherungsring, A40 DIN471 | Circlip, A40 DIN471 |
| 001828 | U-Scheibe A10 DIN 6340 ZN | Washer A10 DIN6340 ZN |
| 002111 | Zylinder Æ95, 1.Stufe Ø95mm | Cylinder 1st stage Ø95mm |
| 002358 | Schnellkupplung gerade G1/8"- 6mm | Quick Release Coupling G1/8"- 6mm |
| 002367 | Ventilkopf 3.Stufe | Valve head 3rd stage |
| 002478 | Zylinder 3.Stufe, Ø18mm | Cylinder 3rd stage Ø18mm |
| 003184 | Oeldruckleitung kompl. | Oil pressure pipe compl. |
| 003187 | Halteblech Öleinfüllschlauch, Aluminium | Bracket oil filter hose, alloy |
| 003188 | Öleinfüllschlauch Ø18 | Oil filler hose Ø18 |
| 003189 | Schlauchschele | Hose Clip |
| 003190 | Entlüftungsschlauch | Ventilation Hose |
| 003286 | Ölschauglas | Oil gauge glass |
| 003766 | Aludichtring für G3/8" | Alloy Seal Ring for G3/8" |
| 003823 | Spezial Dichtung Oelschauglas 35,3x42x2 | Special gasket, oil indicator 35,3x42x2 |
| 004367 | Oelansaugstopfen G1/8" Innengewinde | Oil adapter plug G1/8" |



ERSATZTEILLISTE / SPARE PART LIST

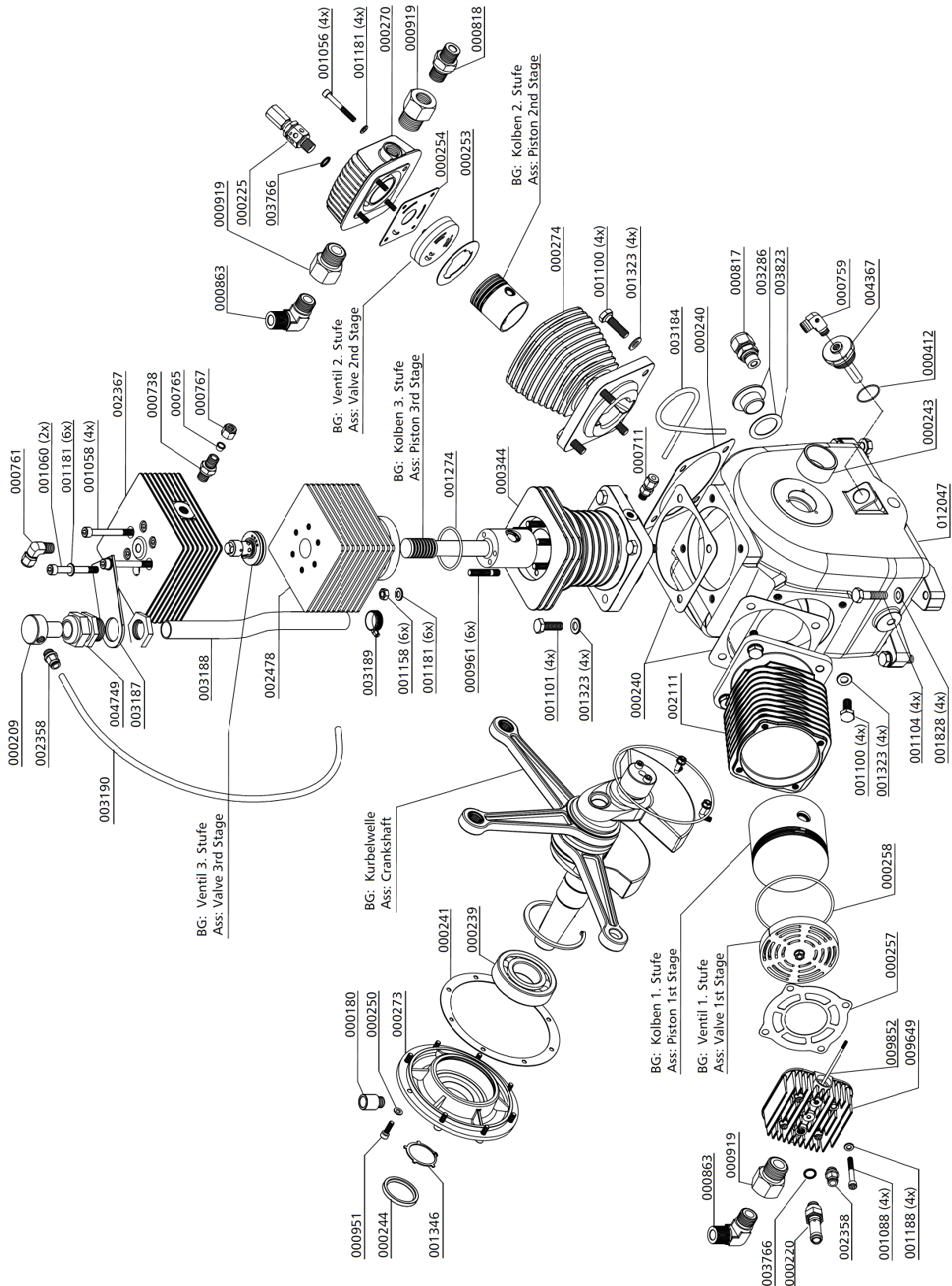
Kompressorblock / Compressor Block

| Best.-Nr. / Order No. | Benennung | Description |
|-----------------------|-------------------------------------------------------------------------|-------------------------------------------------------------------------------|
| 004749 | PG Schlauchdurchführung, PVC | PVC hose c/W connection |
| 009649 | Ventilkopf 1.Stufe | Valve head, 1st stage |
| 009852 | Gewindestange M6x211mm | Threaded bar M6x211mm |
| 102047 | Kurbelgehäuse mit Bleibronze Lagerbuchse Version 1 Ölschauglas seitlich | Crankcase with lead bronze bearing bush Version 1 oil sight glass on the side |

C

DETAILANSICHT / DETAILED VIEW

Kompressorblock / Compressor Block





ERSATZTEILLISTE / SPARE PART LIST

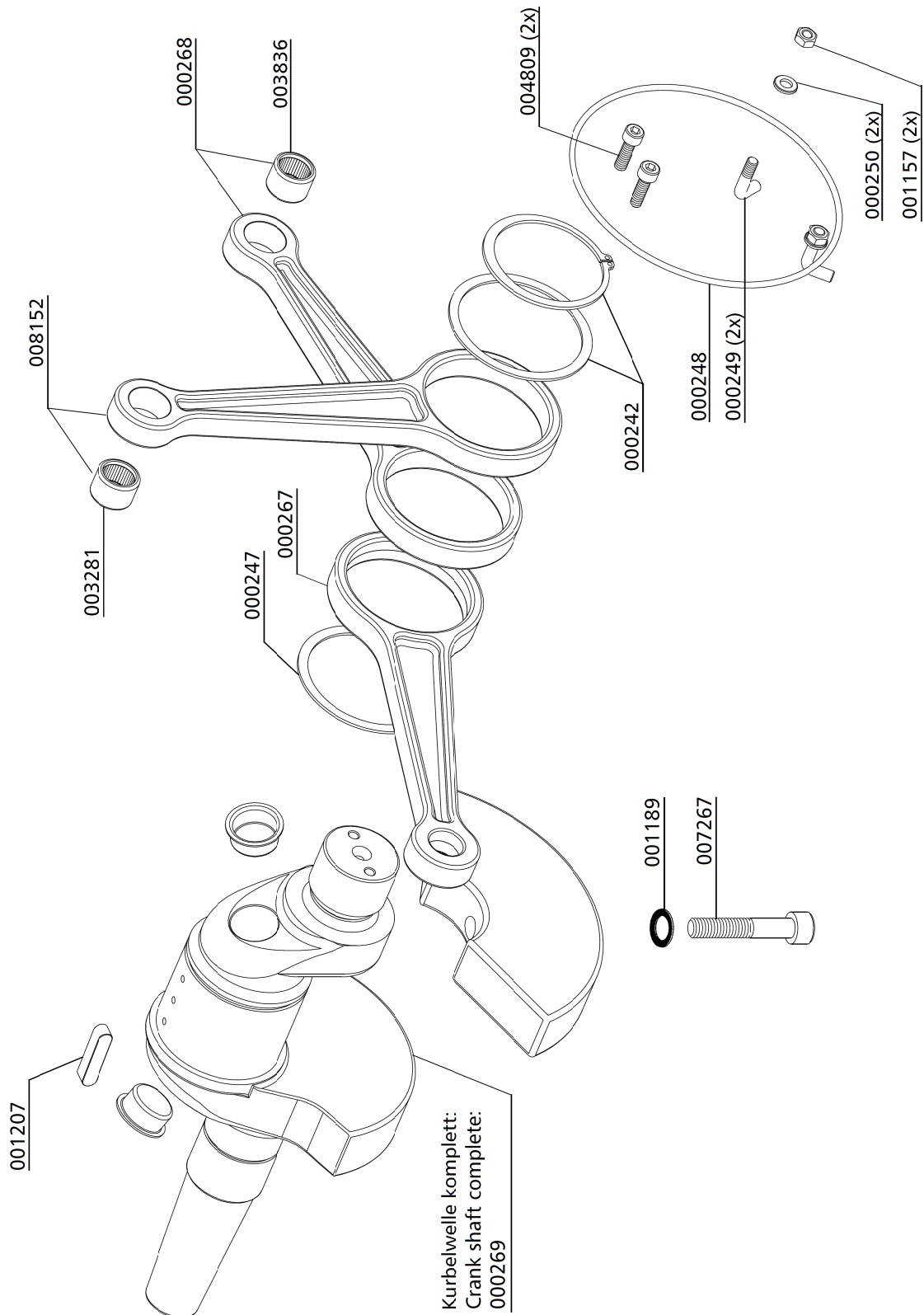
Kurbelwelle / Crankshaft

| Best.-Nr. / Order No. | Benennung | Description |
|-----------------------|------------------------------------------|-------------------------------------|
| 000242 | Sicherung und Scheibe 450 | Thrust Washer & Circlip |
| 000247 | Anlaufscheibe Kurbelwelle, mit Innenfase | Thrust Washer, chamfered version |
| 000248 | Ölschleuderring | Oil Splash Ring |
| 000249 | Gewindebügel M6x34x25 | Threaded Elbow M6x34x25 |
| 000250 | CU-Ring Æ6,2x10x1,5mm | Copper Washer |
| 000267 | Pleuel LW 450 1.Stufe | Conrod 1 st Stage LW 450 |
| 000268 | Pleuel LW 450 2..Stufe | Conrod c/w Needle Bearing |
| 000269 | Kurbelwelle komplett LW 450 | Crankshaft c/w Counter Weight |
| 001157 | Hutmutter M6 DIN 1587 ZN | Domed Nut M6 DIN 1587 ZN |
| 001189 | Schnorrzscheibe S10 N0110 ZN | Clamp Washer S10 N0110 ZN |
| 001207 | Passfeder, A8x7x35mm DIN6885 | Woodruff Key |
| 003281 | Nadellager Ø28xØ22x20 mm | Needle Bearing |
| 003836 | Nadellager Ø22xØ16x16mm | Needle Bearing |
| 004809 | Ölpumpenmitnehmerschraube M6x8 mm, | Drive bolt M6x8mm |
| 007267 | Zylinderschraube M10x45mm DIN912 10.9 | Allen Bolt M10x45mm DIN912 10.9 |
| 008152 | Pleuel LW 450 3.Stufe | Conrod c/w Needle Bearing |

C

DETAILANSICHT / DETAILED VIEW

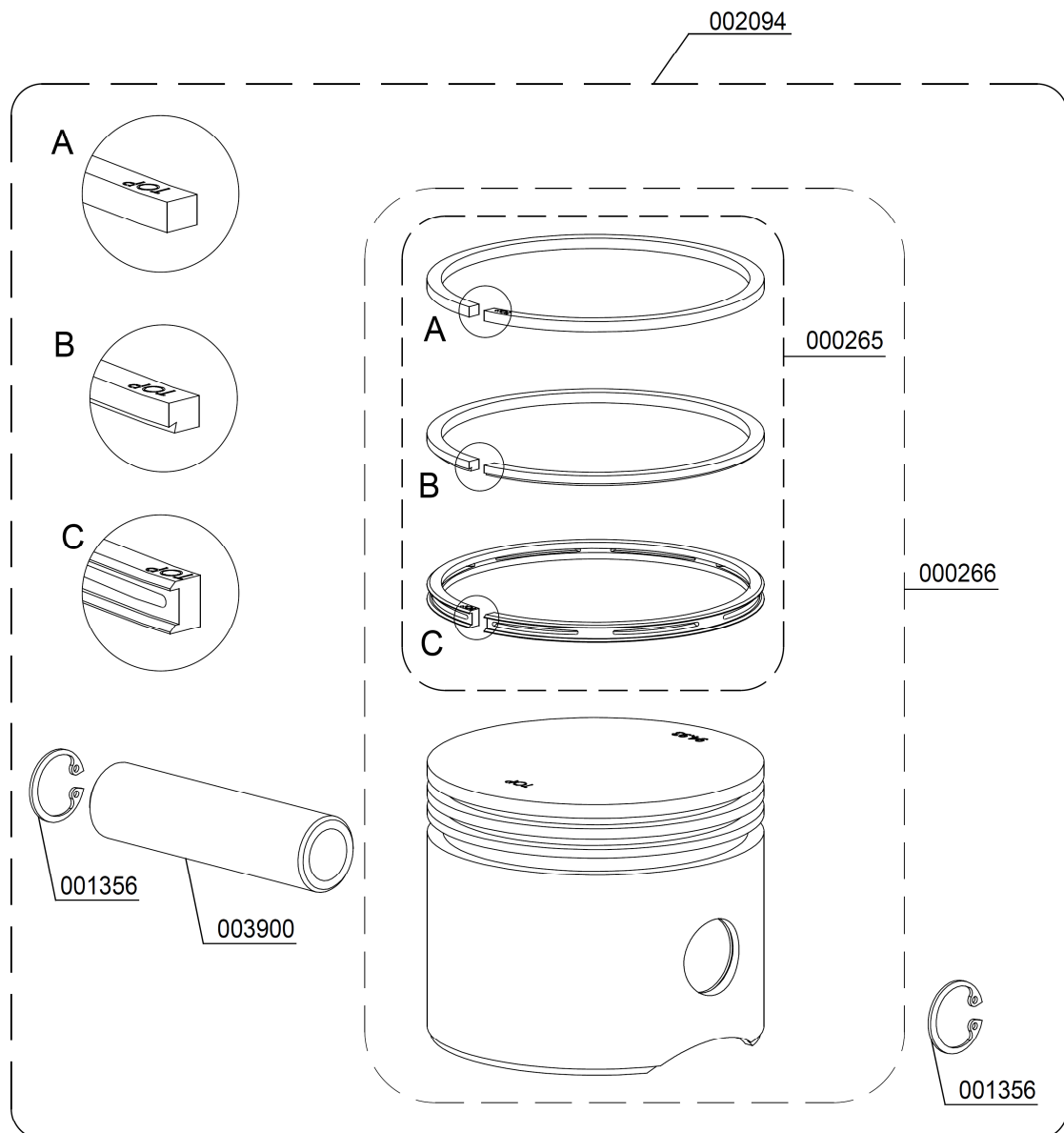
Kurbelwelle / Crankshaft



ERSATZTEILLISTE / SPARE PART LIST

Kolben 1. Stufe / Piston 1st Stage

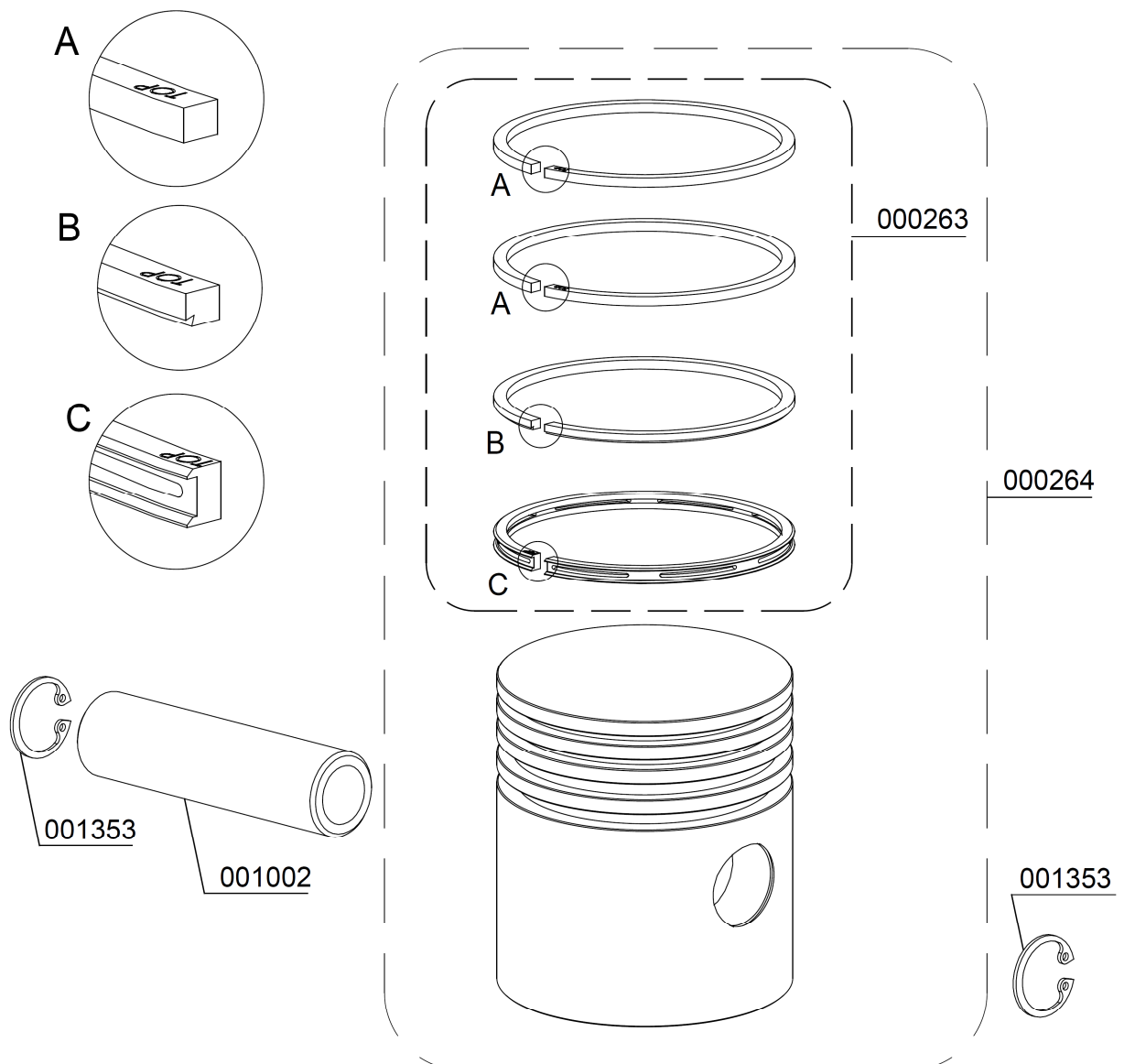
| Best.-Nr. / Order No. | Benennung | Description |
|-----------------------|------------------------------------------|-----------------------------|
| 000265 | Kolbenringe 1. Stufe, Satz/3 Stk. | Piston Ring Set 3 pcs |
| 000266 | Kolben inkl. Kolbenringe 1. Stufe | Piston c/w rings, 1st Stage |
| 001356 | Sicherungsring , I22 DIN472 | Circlip I22 |
| 002094 | Kolben kompl. mit Ringen,Bolzen 1. Stufe | Piston, compl. 1st Stage |
| 003900 | Kolbenbolzen, 1. Stufe | Piston pin, 1st stage |



Kolben 2. Stufe / Piston 2nd Stage

| Best.-Nr. / Order No. | Benennung | Description |
|-----------------------|---------------------------------------------------|--------------------------------------|
| 000263 | Kolbenringsatz 2.Stufe, 4 Stk., Ø42 mm | Piston Ring Set 2.Stage, 4pcs, Ø42mm |
| 000264 | Kolben kompl. mit Kolbenringen, 2.Stufe, Ø42x70mm | Piston c/w Rings, 2.Stage, Ø42x70mm |
| 001002 | Kolbenbolzen 2. + 3.Stufe, ∅16x33mm | Piston Pin 2.+3.Stage, ∅16x33mm |
| 001353 | Sicherungsring, I 16 DIN472 | Circlip I 16 |

C





ERSATZTEILLISTE / SPARE PART LIST

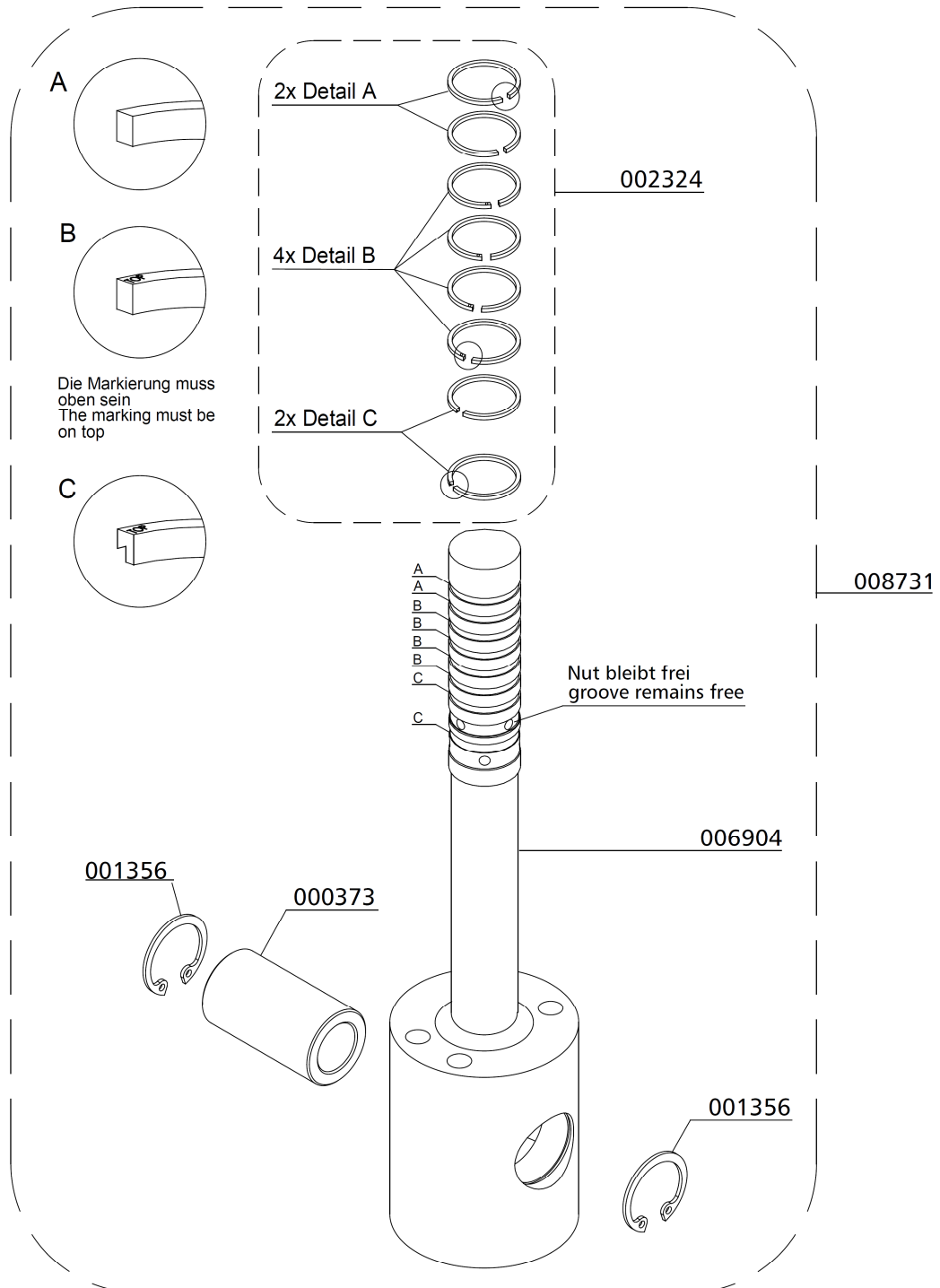
Kolben 3. Stufe Ø18/50mm / Piston 3rd Stage Ø18/50mm

| Best.-Nr. / Order No. | Benennung | Description |
|-----------------------|------------------------------------------------------------------------|----------------------------------------------------------------|
| 000373 | Kolbenbolzen Ø22 x 40 mm | Piston Pin Ø22 x 40 mm |
| 001356 | Sicherungsring, I 22 DIN472 | Circlip I 16 DIN472 |
| 002324 | Kolbenringsatz Ø18mm | Piston Rings Ø18mm |
| 003285 | Spezialwerkzeugsatz zur Kolbenring- u. Kolbenmontage | Special Tool Kit 3.Stage |
| 006904 | Kolben Piston Ø18mm/Ø50mm | Piston Ø18mm/Ø50mm |
| 008731 | Kolben Ø18mm/50mm mit Kolbenringen, Kolbenbolzen u. Seegerringen | Piston Ø18mm/50mm c/w piston rings, piston pin and circlips |

C

DETAILANSICHT / DETAILED VIEW

Kolben 3. Stufe Ø18/50mm / Piston 3rd Stage Ø18/50mm



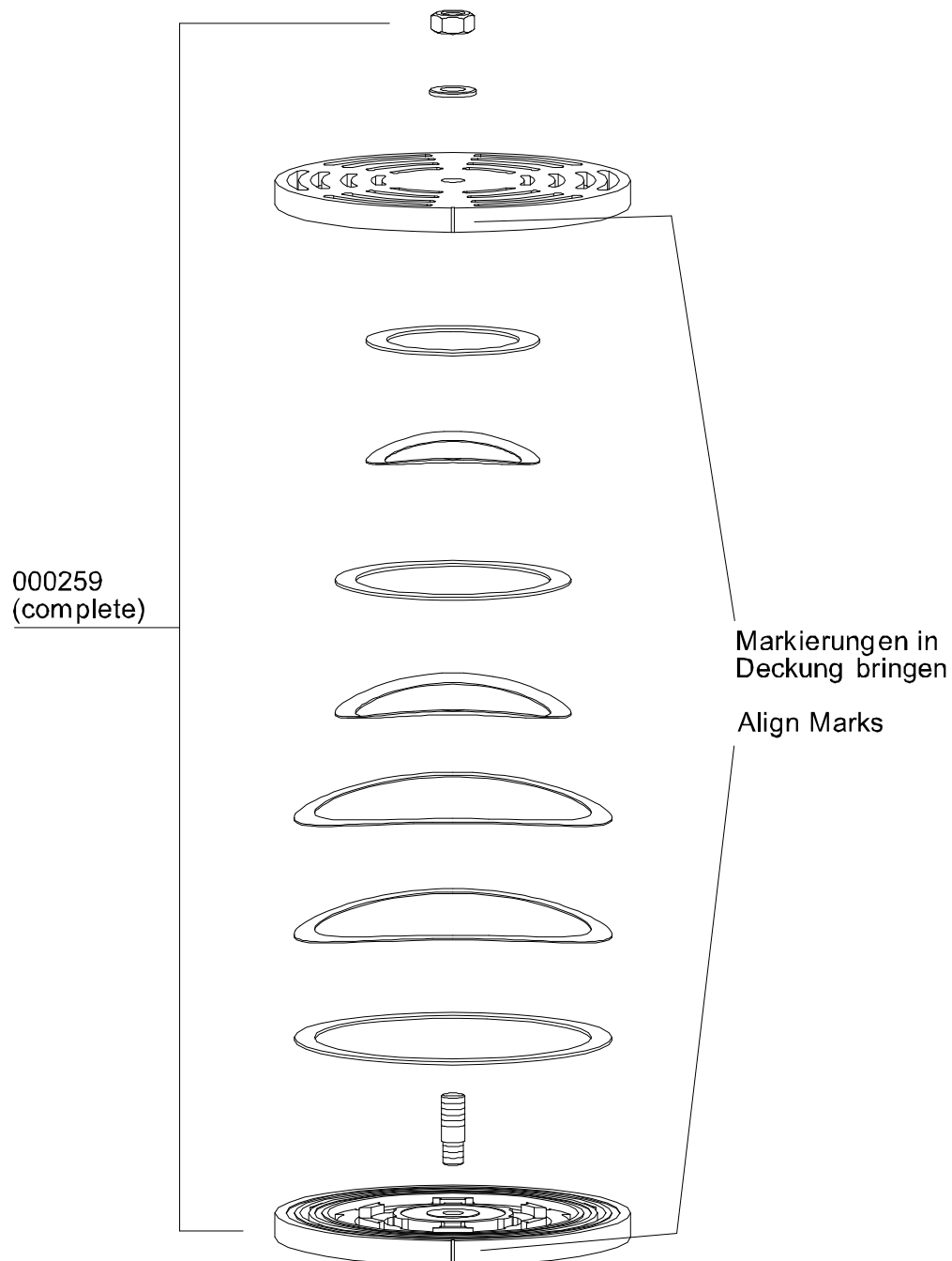
C

Spezialwerkzeug Kolbenringe 3. Stufe:
Special tool Piston rings 3rd stage:
003285

ERSATZTEILLISTE / SPARE PART LIST

Saug- und Druckventil 1. Stufe / In- and Outlet Valve 1st Stage

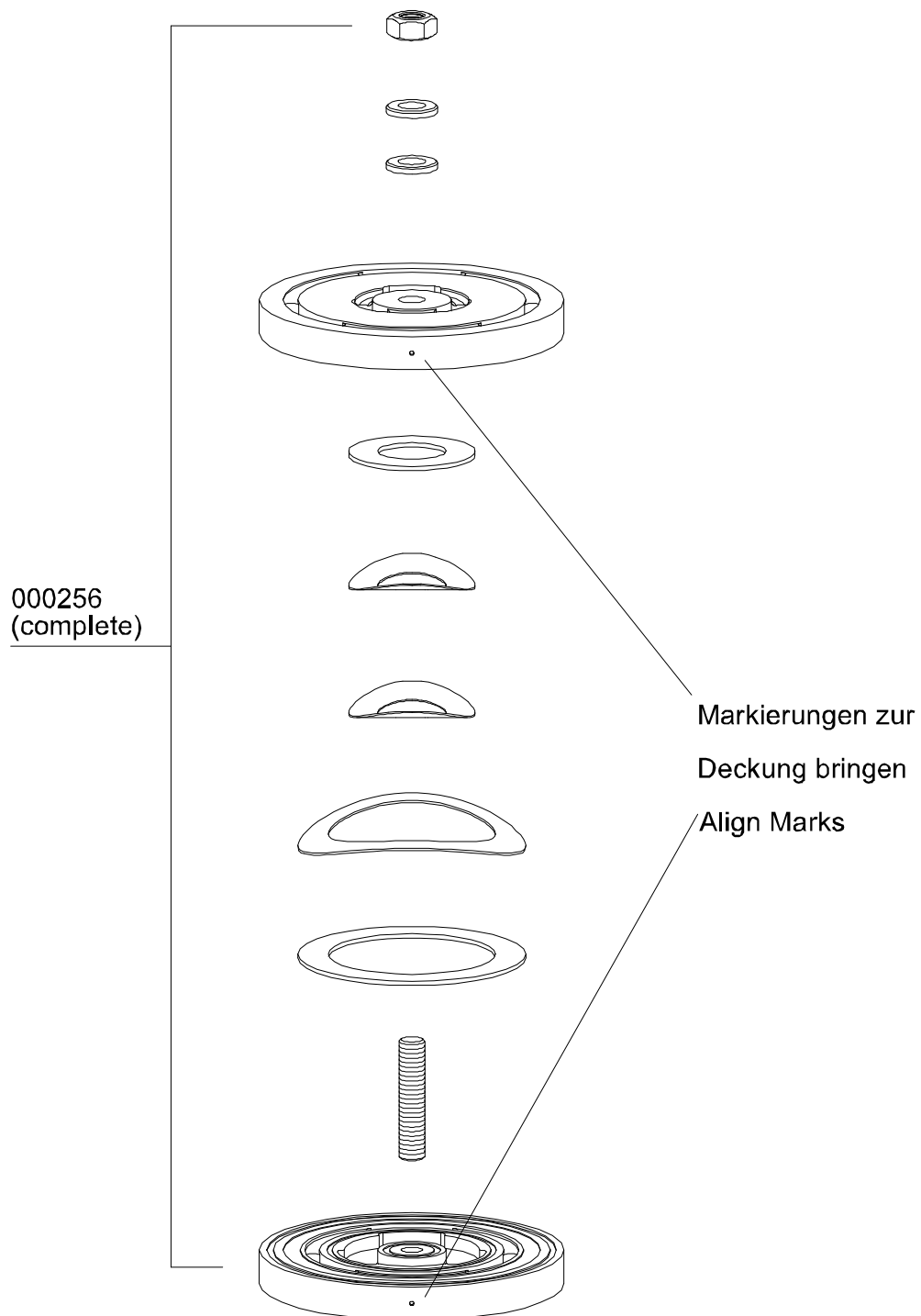
| Best.-Nr. / Order No. | Benennung | Description |
|-----------------------|-----------------------------|-----------------------------|
| 000259 | Saug- Druckventil, 1. Stufe | In-&Outlet Valve, 1st Stage |



ERSATZTEILLISTE / SPARE PART LIST

Saug- und Druckventil 2. Stufe / In- and Outlet Valve 2nd Stage

| Best.-Nr. / Order No. | Benennung | Description |
|-----------------------|--------------------------------|-----------------------------------|
| 000256 | Saug- und Druckventil 2. Stufe | In- & Outlet Valve comp.2nd Stage |

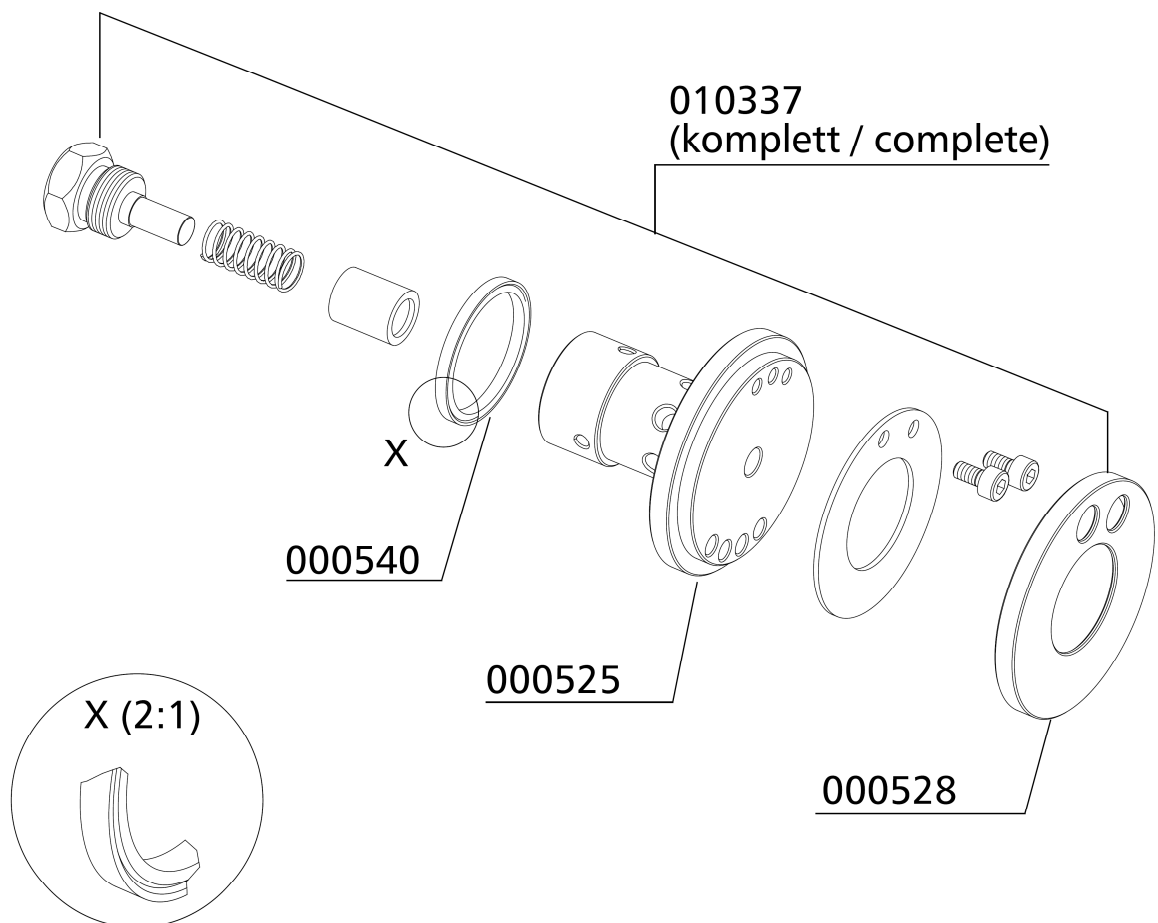


C

Saug- und Druckventil 3. Stufe / In- and Outlet Valve 3rd Stage

| Best.-Nr. / Order No. | Benennung | Description |
|-----------------------|---------------------------------------------------------------------------|--------------------------------------------------------------------------------|
| 000525 | Saug-Druckventil, ohne Dichtungen, 4 x Ø3,0mm, ab Kompressorblock-Nr. 859 | In- & Outlet Valve, without gaskets, 4 x Ø3.0mm, from compressor block no. 859 |
| 000528 | Ventildichtung, Saug-& Druckventil unten (Ø44/Ø19), ab 07.2016 | Lower Valve Gasket (Ø44/Ø19), from 07.2016 |
| 000540 | Dichtring / Dichtung , Saug- u. Druckventil oben, Alu | Upper Alloy Seal Ring |
| 010337 | Saug-Druckventil kompl. mit Dichtungen, ab Kompressorblock-Nr. 859 | In- & Outlet Valve c/w gaskets, from compressor block no. 859 |

C

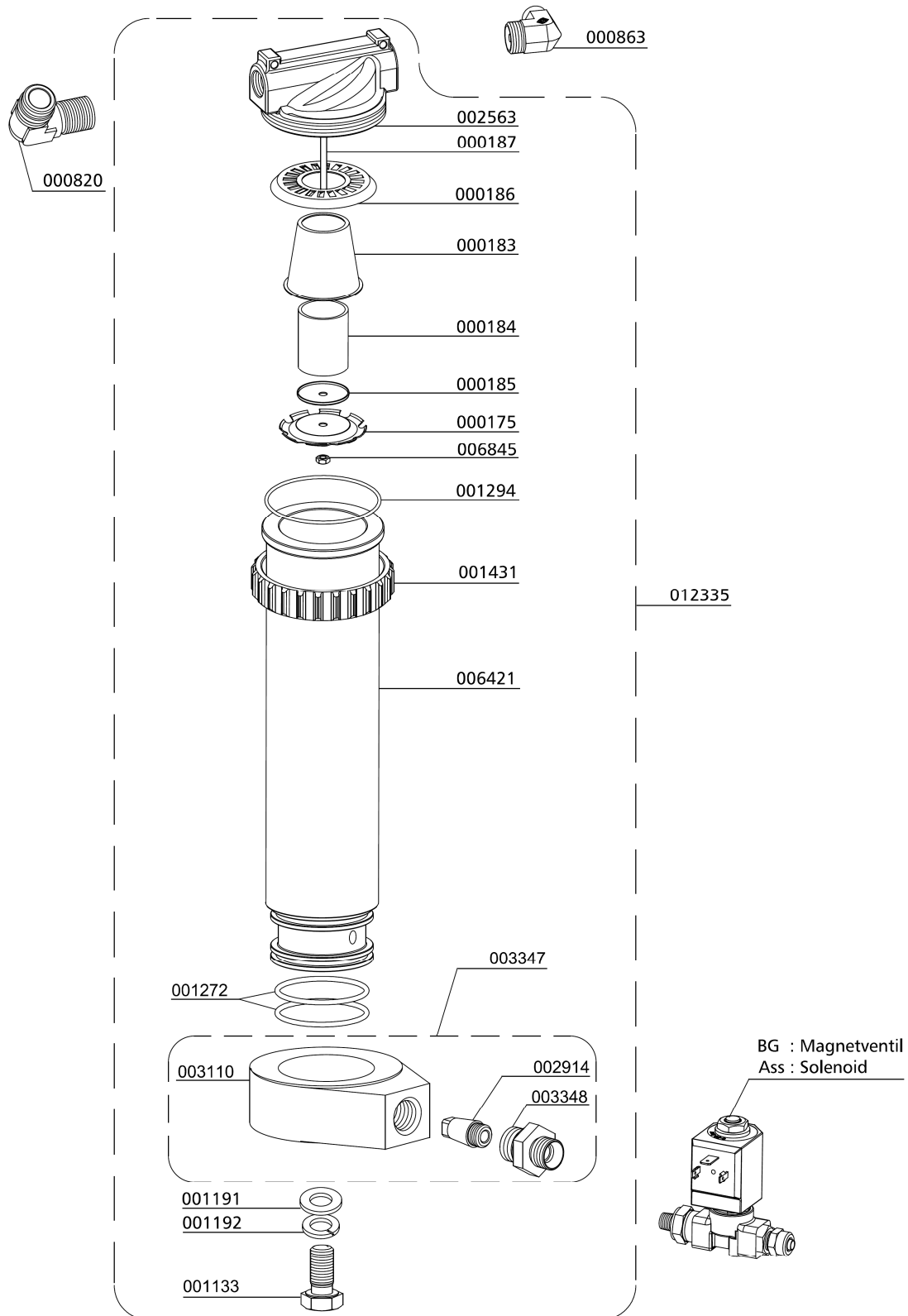


Öl- / Wasserabscheider 1. Stufe / Oil- / Water Separator 1st Stage

| Best.-Nr. / Order No. | Benennung | Description |
|-----------------------|-----------------------------------------------------------------------|-------------------------------------------------------------------|
| 000175 | Deckel, Wasserabscheider | Cover Water Separator |
| 000183 | Wasserabweiser | Filter Protector |
| 000184 | Sinterfilter Wasserabscheider | Sintered Filter, Oil Filter |
| 000185 | Halteteller | Plate |
| 000186 | Drallscheibe | Twist Disk |
| 000187 | Stiftschraube | Threaded Stud |
| 000820 | Verschraubung WE 15L RX | Elbow Connection |
| 000863 | Verschraubung WE 18L | Elbow Connection |
| 001133 | Sechskant Schraube M12x30mm DIN933 8.8 ZN | Hexagon Screw M12x30mm DIN933 8.8 ZN |
| 001191 | U-Scheibe A12 DIN125 ZN | Washer A12 DIN125 ZN |
| 001192 | Federring A12 DIN 127 ZN | Spring Washer A12 DIN 127 ZN |
| 001272 | O-Ring 47x3 NBR70 | O-Ring 47x3 NBR70 |
| 001294 | O-Ring 68x3 NBR90 | O-Ring 68x3 |
| 001431 | Befestigungsring Wasserabscheider LW 450 | Lock Ring Water Separator |
| 002563 | Wasserabscheider Oberteil | Water Separator Top |
| 002914 | Sinterfilter für Wasserabscheidersockel, M12x1,5mm | Sintered filt. water sep. base, M12x1,5mm |
| 003110 | Unterer Ring, Wasserabscheider 120 bar | Base Ring, water separator |
| 003347 | Unterer Ring, Wasserabscheider, Inkl. Sinterfilter & Verschraubung | Base Ring, water separator, incl. Sintered filter & Connection |
| 003348 | Filterverschraubung für Wasserabscheider | Connec. for sintered filter |
| 006421 | Wasserabscheider-Behälter | Container Water Separ. |
| 006845 | Stopfmutter, Edelstahl, M6 DIN985 | Lock Nut, s/s, M6 DIN985 |
| 012335 | Öl-/ Wasserabscheider (2. Serie) kompl. Einheit | Oil-/ Water Separator |

DETAILANSICHT / DETAILED VIEW

Öl- / Wasserabscheider 1. Stufe / Oil- / Water Separator 1st Stage



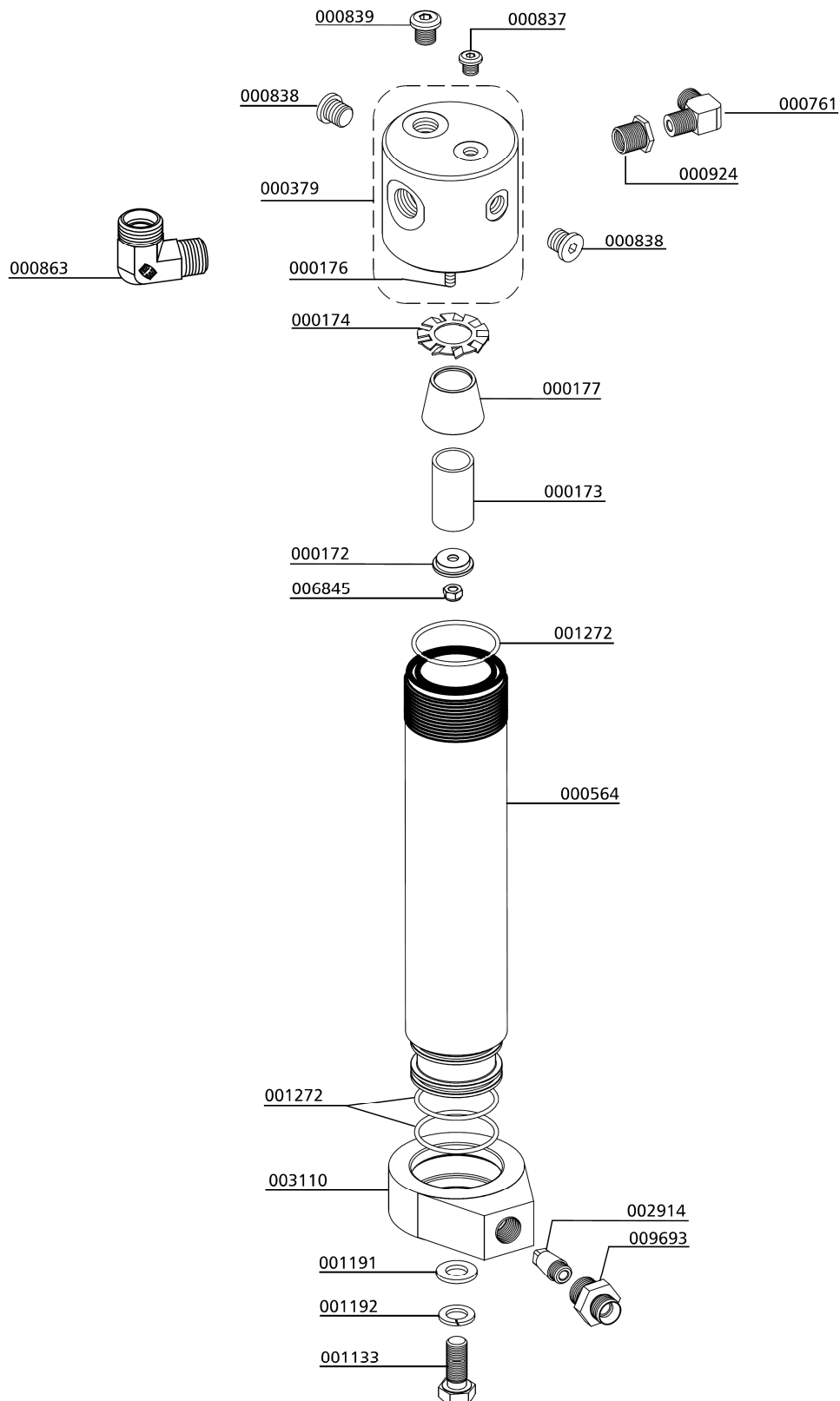
C

Öl- / Wasserabscheider 2. Stufe / Oil- / Water Separator 2nd Stage

| Best.-Nr. / Order No. | Benennung | Description |
|-----------------------|---------------------------------------------------------|-------------------------------------------|
| 000172 | Halteteller Wasserabscheider | Plastic Air Deflector |
| 000173 | Sinterfilter Wasserabscheider | Sintered Filter |
| 000174 | Drallscheibe, Wasserabscheider | Twist Disk |
| 000176 | Stiftschraube, Wasserabscheider | Treaded Stud |
| 000177 | Wasserabweiser, Wasserabscheider | Water Deflector, Plastic |
| 000379 | Wasserabscheider - Oberteil | Top ap Water Separator |
| 000564 | Wasserabscheider – Behälter 2.Stufe | Container Water Separator |
| 000761 | Verschraubung WE08LRFCX | Elbow Connection WE08LRFCX |
| 000837 | Verschlussstopfen, VSTI R1/4"ED CFX | Plug |
| 000838 | Verschlussstopfen, VSTIR1/4EDA3C | Plug |
| 000839 | Verschlussstopfen, VSTI R3/8"ED CFX | Plug |
| 000863 | Verschraubung, WE18L-R1/2" A3C | Elbow Connection |
| 000924 | Reduzierung 1/4"x1/8" | Reducer 1/4"x1/8" |
| 001133 | Sechskantschraube M12x30mm DIN933 8.8 ZN | Hexagon Screw M12x30mm DIN933 8.8 ZN |
| 001191 | U-Scheibe A12 DIN125 ZN | Washer A12 DIN125 ZN |
| 001192 | Federring A12 DIN 127 ZN | Spring Washer A12 DIN 127 ZN |
| 001272 | O-Ring Wasserabscheider 47x3 NBR70 | O-Ring 47x3 |
| 002914 | Sinterfilter für Wasserabscheidersockel, M12x1,5mm | Sintered filt. water sep. base, M12x1,5mm |
| 003110 | Unterer Ring, Wasserabscheider 120 bar | Base Ring, water separator |
| 006845 | Stopfmutter, Edelstahl, M6 DIN985 | Lock Nut, s/s, M6 DIN985 |
| 009693 | Filterverschraubung für Wasserabscheider für Mutter 06L | Connec. for sintered filter |

ERSATZTEILLISTE / SPARE PART LIST

Öl- / Wasserabscheider 2. Stufe / Oil- / Water Separator 2nd Stage



C

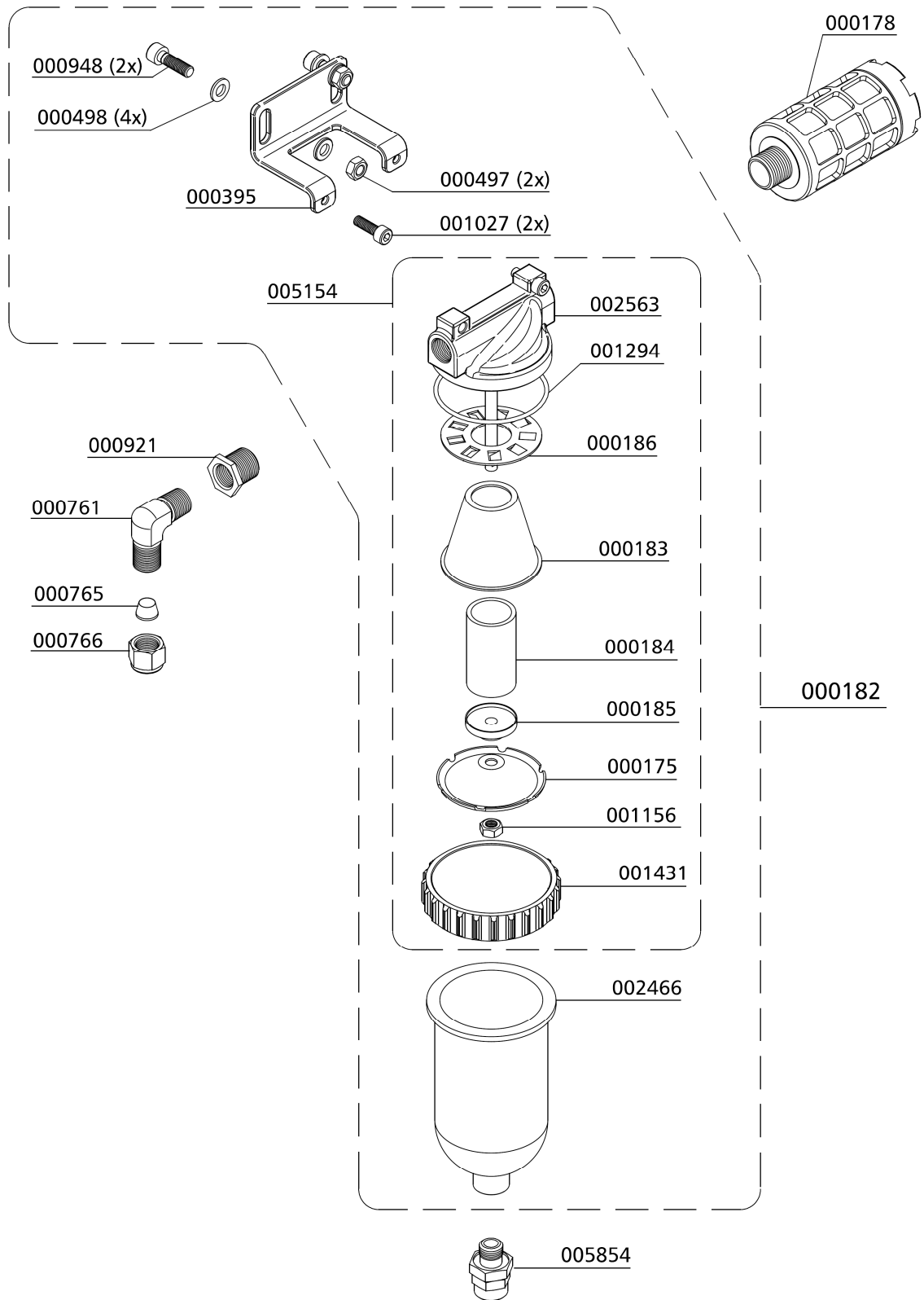
Öl- / Wasserabscheider Endstufe / Oil- / Water Separator Final Stage

| Best.-Nr. / Order No. | Benennung | Description |
|-----------------------|-----------------------------------------------------------------------|--------------------------------------------------------|
| 000175 | Deckel, Wasserabscheider | Cap |
| 000178 | Schalldämpfer G1/2" | Silencer G1/2" |
| 000182 | Endstufe Wasserabscheider (PN 15 bar) | Water Separator c/W bracket |
| 000183 | Wasserabweiser | Filter Protecor |
| 000184 | Sinterfilter Wasserabscheider | Siltered Filter, Oil Filter |
| 000185 | Haltehalter | Plate |
| 000186 | Drallscheibe | Twist Disk |
| 000395 | Blechhalter Kondensatabscheider | Bracket water separator |
| 000497 | Mutter M6 | Nut M6 |
| 000498 | Unterlegscheibe, A6 DIN 125 | Washer A6 |
| 000761 | Verschraubung WE 08 PLR CFX | Connection |
| 000765 | Schneidring PSR 08 LX | <i>Olive Seal 8mm</i> |
| 000766 | Mutter 8L | Nut 8L |
| 000921 | Reduzierung 1/2"-1/4" | Reducer 1/2"-1/4" |
| 000948 | Flachkopfschraube M6x16mm DIN6912 8.8 ZN | Pan Head Bolt M6x16mm DIN6912 8.8 ZN |
| 001027 | Zylinderschraube M6x30 | Allen Bolt M6x30 |
| 001156 | Stopfmutter M6 DIN985 ZN | Lock Nut M6 |
| 001294 | O-Ring 68x3 NBR90 | O-Ring 68x3 |
| 001431 | Befestigungsring Wasserabscheider LW 450 | Lock Ring Water Separator |
| 002466 | Kondensatbehälter für Abscheider | Condensate bowl |
| 002563 | Wasserabscheider Oberteil PN 15 bar | Water Separator, upper comp. PN15 bar |
| 005154 | Endstufe Wasserabscheider (PN 15 bar) (kompl. montiertes Oberteil) | Water Separator w/o bowl & bra |
| 005854 | Gerade Einschraubverschraubung G1/8" - 8 mm, inkl. Mutter | Straight Hose Connection G1/8" - 8 mm, inkl. Mutter |

C

DETAILANSICHT / DETAILED VIEW

Öl- / Wasserabscheider Endstufe / Oil- / Water Separator Final Stage



C

ERSATZTEILLISTE / SPARE PART LIST

Filtergehäuse 0,98 l / Filter Housing 0.98 ltr

| Best.-Nr. / Order No. | Benennung | Description |
|-----------------------|---------------------------------------------------|--------------------------------|
| 000002 | Filterpatrone 1,7 Liter | Filter Cartridge 1.7 ltr BA |
| 000506 | Druckfeder | Spring |
| 000508 | USIT Ring, 13,7 x Ø20 x 1,5 | Gasket Ring U-Sit |
| 000516 | Nutring, DHRV | Seal Ring PMV |
| 000517 | Druckfeder, DHRV | Coil Spring PMV |
| 000518 | U-Scheibe A5 | Washer, M5, brass |
| 000519 | Dichtkappe, DHRV | Plastic Seal Piston PMV |
| 000738 | Gerade Verschraubung, GE08LRFCX | Straight Connection |
| 000755 | T-Verschraubung mit fester Mutter axial , ET08PLX | T-Connection with fixed nut |
| 000761 | Winkelverschraubung, WE08L/1/4" | Elbow Connection |
| 000837 | Verschlussstopfen, VSTI 1/8" ED | Plug |
| 000941 | Madenschraube, M4x5mm DIN553 | Worm Screw |
| 001039 | Zylinderschraube, M8x16mm DIN912 | Allen Bolt |
| 001160 | Hutmutter, M8 DIN1587 | Domed Nut M8 |
| 001181 | U-Scheibe A8 | Washer A8 |
| 001184 | Schnorr-Scheibe, S8 N0110 ZN | Clamp Washer S8 |
| 001742 | Druckstift , DHRV | Pressure Pin |
| 001743 | Einlassverschraubung, DHRV | Inlet Connection |
| 001744 | Einstellschraube, DHRV | Adjusting Bolt |
| 001769 | O-Ring, Filtergehäuse, 59,92 x 3,53 NBR90 | O-Ring Filter Housing LW 100 |
| 001788 | Federdruckstück | Spring Adapter |
| 001819 | O-Ring, Filterpatrone-Nippel, 7,3x2,4 NBR70 | O-Ring, Filter cartrid. nipple |
| 001825 | O-Ring, Filterpatrone, 9,19 x 2,62 NBR70 | O-Ring, filter cartridge |
| 002147 | Haltebügel für Filtergehäuse (ES) | U-Clamp for filter housing ES |
| 003006 | O-Ring, DHV, 7 x 1,5, NBR90 | O-Ring, PMV |
| 009657 | Filterschlüssel | Filter key |



ERSATZTEILLISTE / SPARE PART LIST

Filtergehäuse 0,98 l / Filter Housing 0.98 ltr

| Best.-Nr. / Order No. | Benennung | Description |
|-----------------------|-----------------------------------------|--------------------------------|
| 010572 | Drallscheibe | Swirl Disk |
| 010573 | Umlenkung Einlassluftstrom | Deflection Inlet Airflow |
| 010576 | O-Ring, 63,5x2 NBR 70 | O-ring 63,5 x 2 |
| 010759 | Zylinderschrauben M4x12mm | Allen Bolt M4x12mm |
| 012391 | Haltewinkel Filtergehäuse 0,69/0,98 Ltr | Bracket Endfilter 0.69/0.98Ltr |
| 012403 | Filtergehäuse kompl. mit DHRV, 0,98 Ltr | Filter housing c/w PMNRV 0.98L |
| 012457 | Halteschale Endfiltergehäuse | Spacer Bracket Filter Housing |

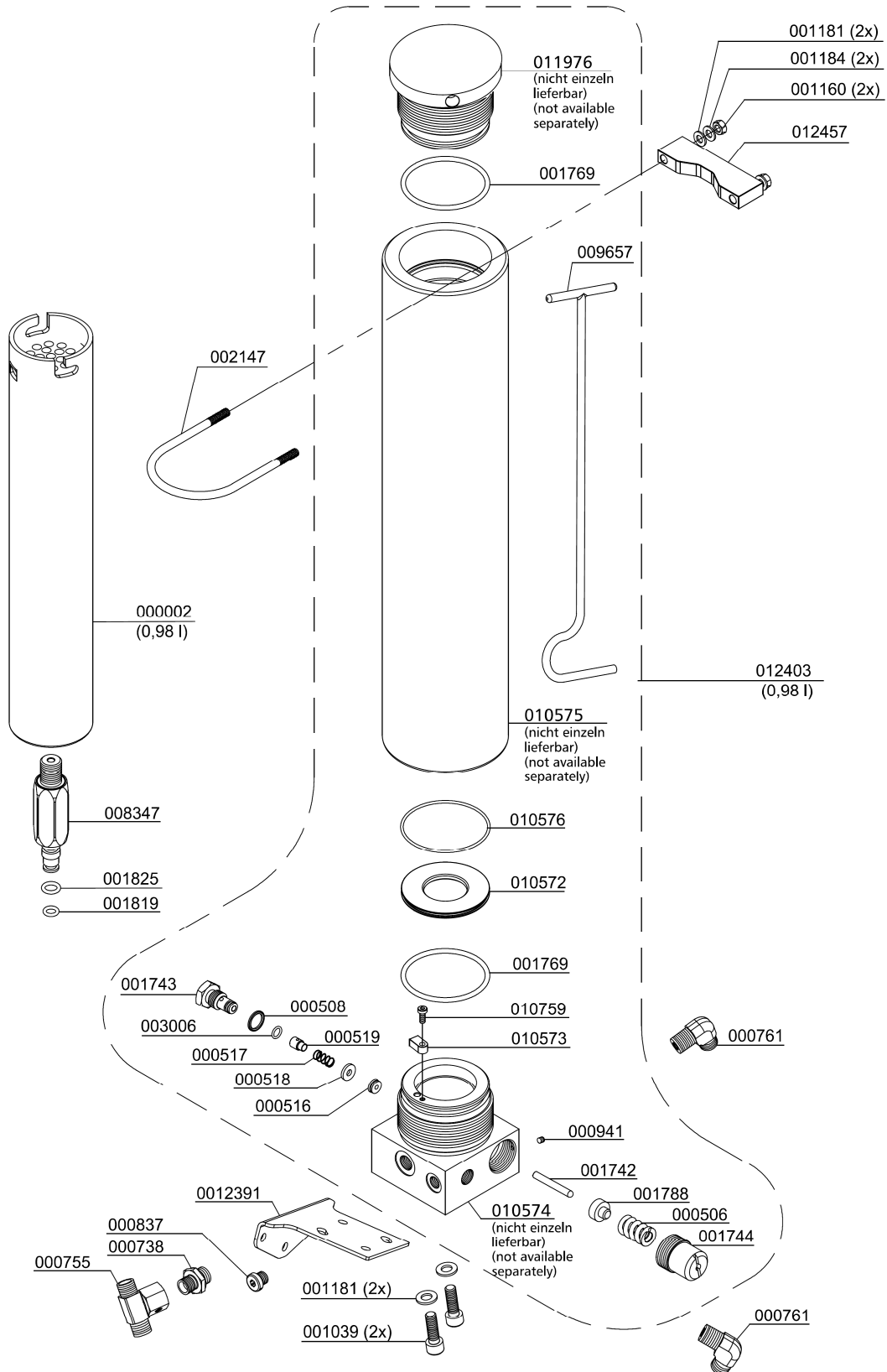
C

Nicht einzeln lieferbar / not available separatly

| Best.-Nr. / Order No. | Benennung | Description |
|-----------------------|---------------------------------------|-------------------------------|
| 010574 | Filtersockel, (Filtergehäuse) | Base Filter Housing |
| 010575 | Druckbehälterrohr, Ø95x470mm | Tube Filter Housing Ø95x470mm |
| 011976 | Obere Verschlusschraube Filtergehäuse | Plug Filter Housing |

DETAILANSICHT / DETAILED VIEW

Filtergehäuse 1,7 l / Filter Housing 1.7 ltr



C



ERSATZTEILLISTE / SPARE PART LIST

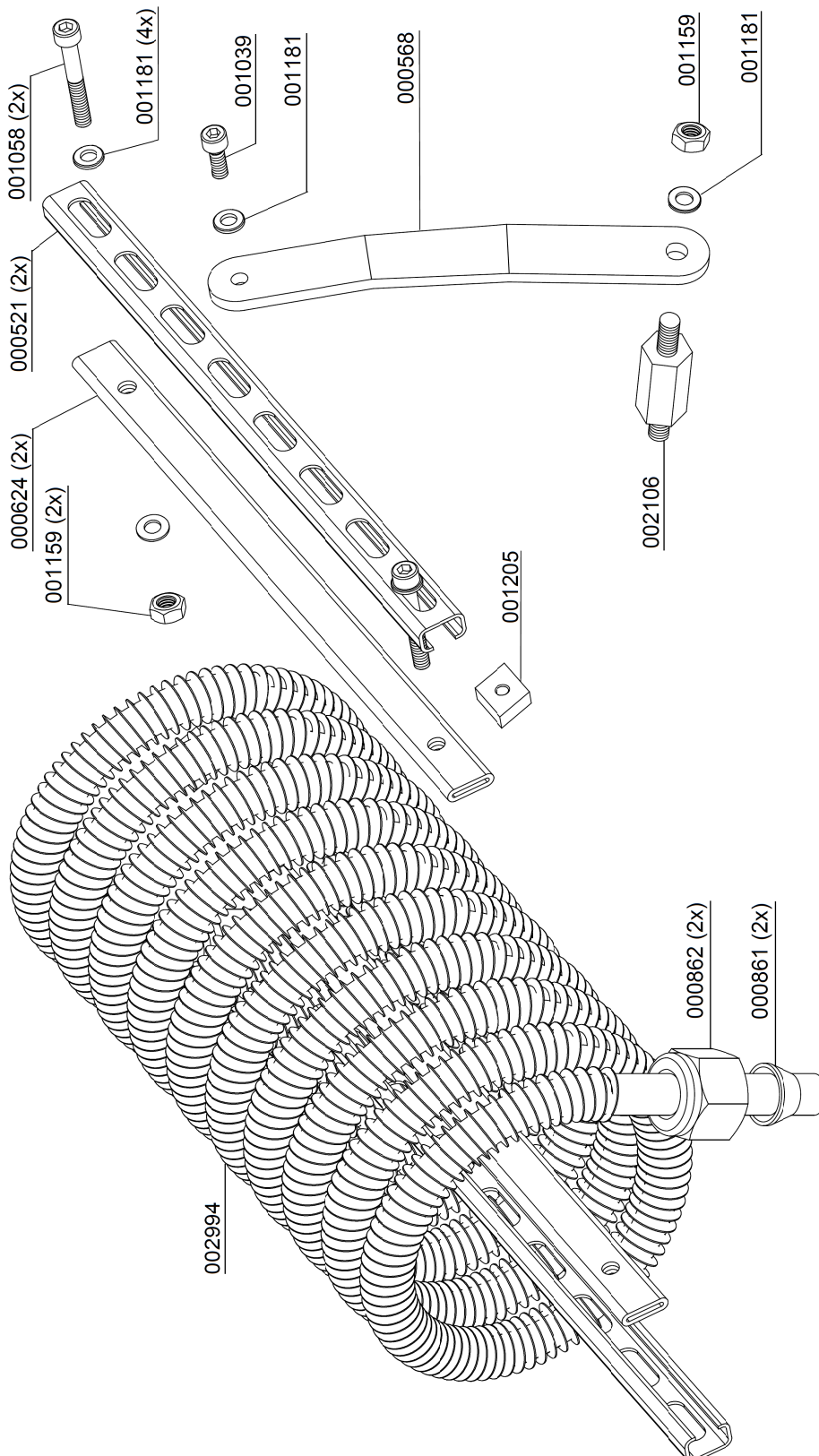
Kühler 1. Stufe / Cooler 1st Stage

| Best.-Nr. / Order No. | Benennung | Description |
|-----------------------|-----------------------------------------------------------|-----------------------------------------------|
| 000521 | Schiene 340mm | Metal Bar 340 mm |
| 000568 | Halterung | Bracket |
| 000624 | PVC Schlauch, transparent | PVC Hose for Bracket |
| 000861 | Schneidring PSR 18 LX | Olive Seal 18mm |
| 000862 | Mutter M18L | Nut 18L |
| 001039 | Zylinderschraube, M8x16mm DIN912 | Allen Screw |
| 001058 | Zylinderschraube M8x70mm DIN912 8.8 ZN | Allen Bolt |
| 001159 | Stoppmutter, M8 DIN985 ZN | Lock Nut M8 |
| 001181 | U-Scheibe A8 DIN125 ZN | Washer A8 |
| 001205 | 4-kant Mutter, M8 DIN ZN | Square Nut M8 |
| 002106 | Distanzbolzen M8xSW14x53mm | Spacers |
| 002994 | Wärmetauscher 1.Stufe LW 450 E inkl. Mutter & Schneidring | Heat Exchanger 1st Stage c/w Nut & Olive Seal |

C

DETAILANSICHT / DETAILED VIEW

Kühler 1. Stufe / Cooler 1st Stage



C



ERSATZTEILLISTE / SPARE PART LIST

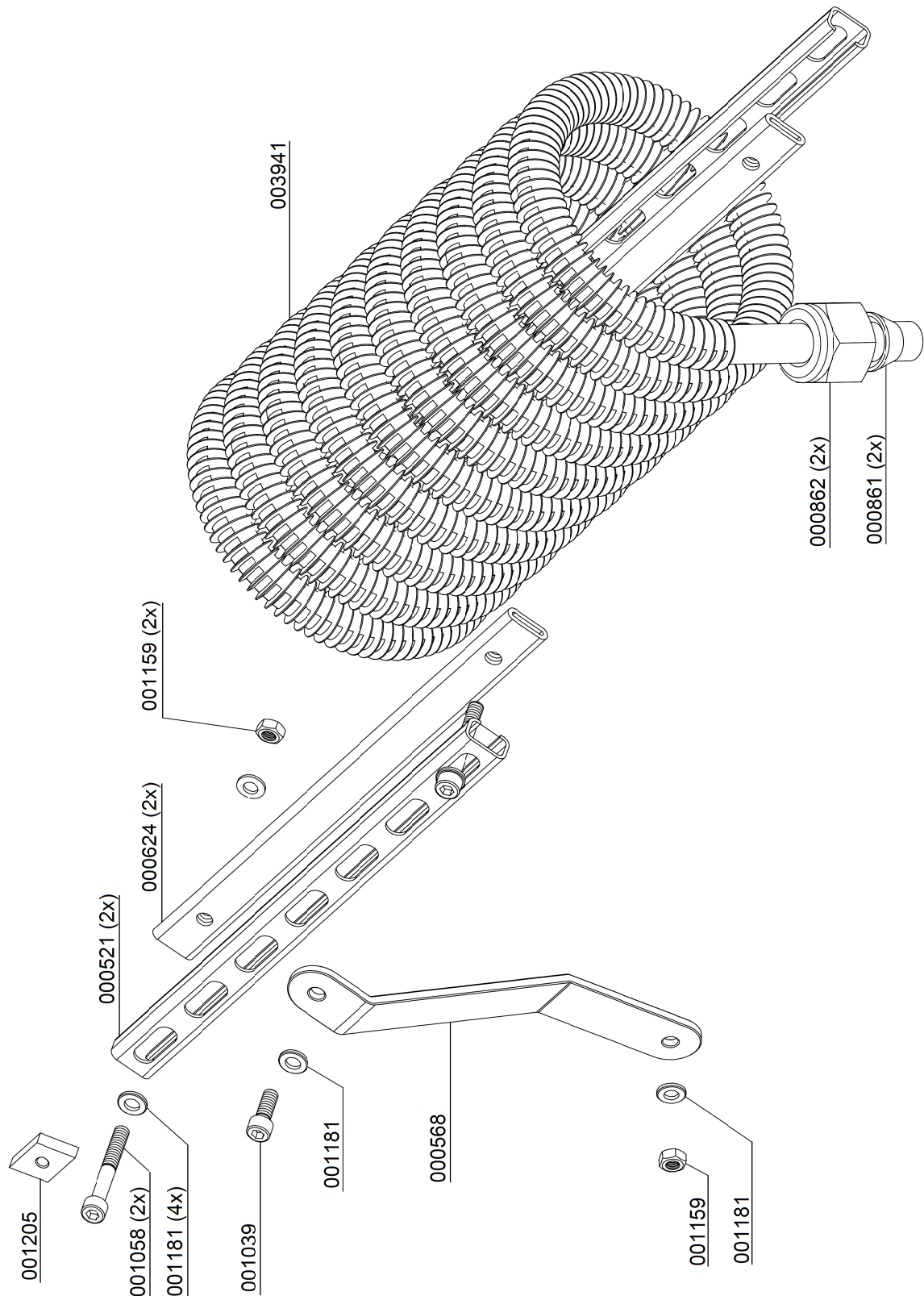
Kühler 2. Stufe / Cooler 2nd Stage

| Best.-Nr. / Order No. | Benennung | Description |
|-----------------------|----------------------------------------|--------------------------|
| 000521 | Schiene 340mm | Metal Bar 340 mm |
| 000568 | Halterung | Bracket |
| 000624 | PVC Schlauch, transparent | PVC Hose for Bracket |
| 000861 | Schneidring PSR 18 LX | Oliver Seal 18mm |
| 000862 | Mutter M18L | Nut 18L |
| 001039 | Zylinderschraube, M8x16mm DIN912 | Allen Screw |
| 001058 | Zylinderschraube M8x70mm DIN912 8.8 ZN | Allen Bolt |
| 001159 | Stoppmutter, M8 DIN985 ZN | Lock Nut M8 |
| 001181 | U-Scheibe A8 DIN125 ZN | Washer A8 |
| 001205 | 4-kant Mutter, M8 DIN ZN | Square Nut M8 |
| 003941 | Wärmetauscher 2.Stufe | Heat Exchanger 2nd Stage |

C

DETAILANSICHT / DETAILED VIEW

Kühler 2. Stufe / Cooler 2nd Stage



C



ERSATZTEILLISTE / SPARE PART LIST

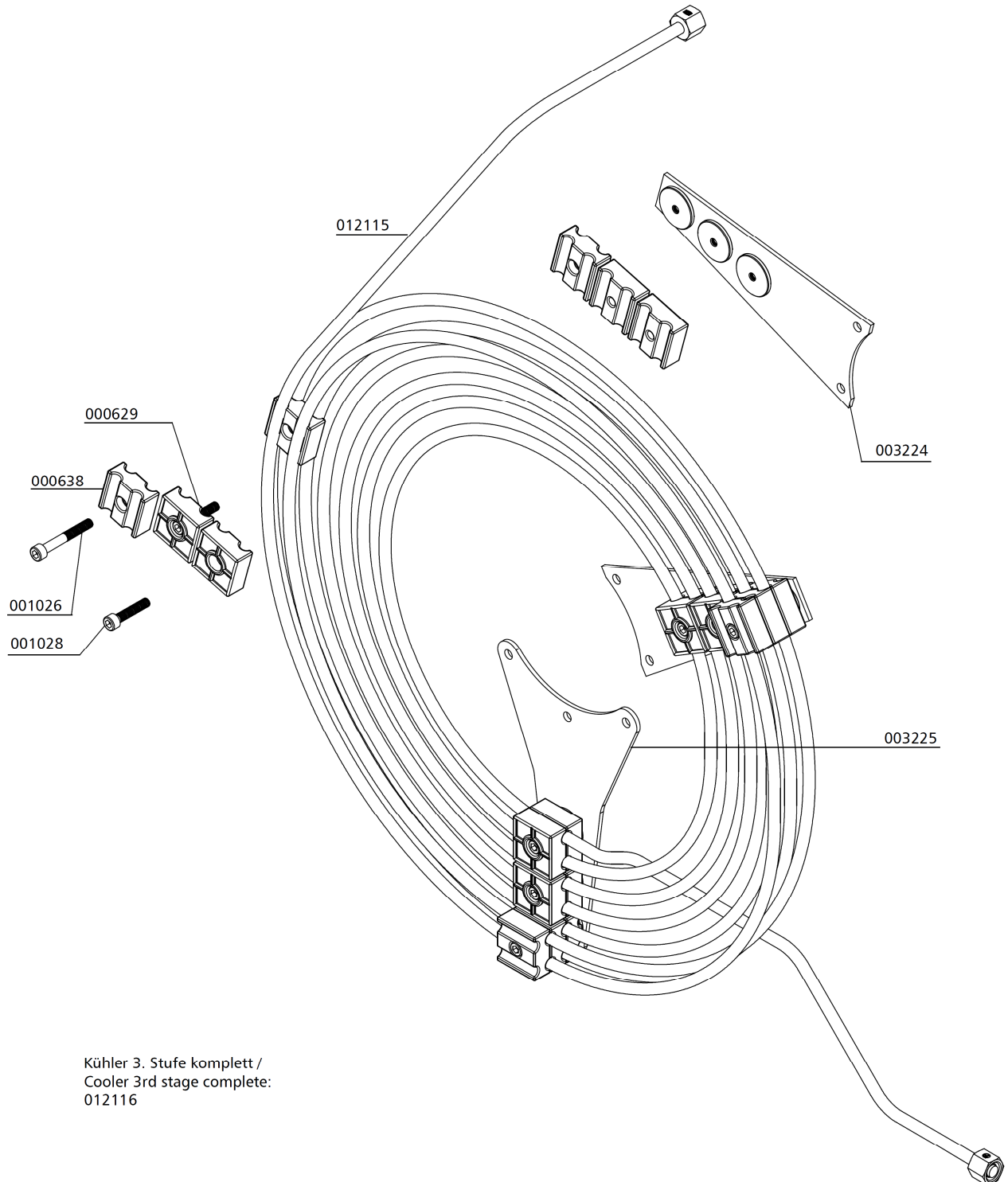
Kühler 3. Stufe / Cooler 3rd Stage

| Best.-Nr. / Order No. | Benennung | Description |
|-----------------------|----------------------------------------|---------------------------------------|
| 000629 | Doppelschelle 2 x 8mm 1 Paar | Pipe Clamp 2x8mm - 1 pair |
| 000638 | Doppelschelle 2 x 8 mm 1 Paar | Pipe Clamp 2x8mm 1pair |
| 001026 | Zylinderschraube M6x40mm DIN912 8.8 ZN | Allen Bolt M6x40mm DIN912 8.8 ZN |
| 001028 | Zylinderschraube M6x25mm DIN912 8.8 ZN | Allen Bolt M6x25mm DIN912 8.8 ZN |
| 003224 | Kühlerhalteblech | Bracket, Cooler Stage 3 |
| 003225 | Kühlerhalteblech | Bracket, Cooler Stage 3 |
| 012115 | Kühlrohr 3. Stufe komplett | Cooler, 3rd stage complete |
| 012116 | Kühlspirale komplett inkl. Haltearme | Cooling coil (complete) incl. bracket |

C

DETAILANSICHT / DETAILED VIEW

Kühler 3. Stufe / Cooler 3rd Stage



Kühler 3. Stufe komplett /
Cooler 3rd stage complete:
012116



ERSATZTEILLISTE / SPARE PART LIST

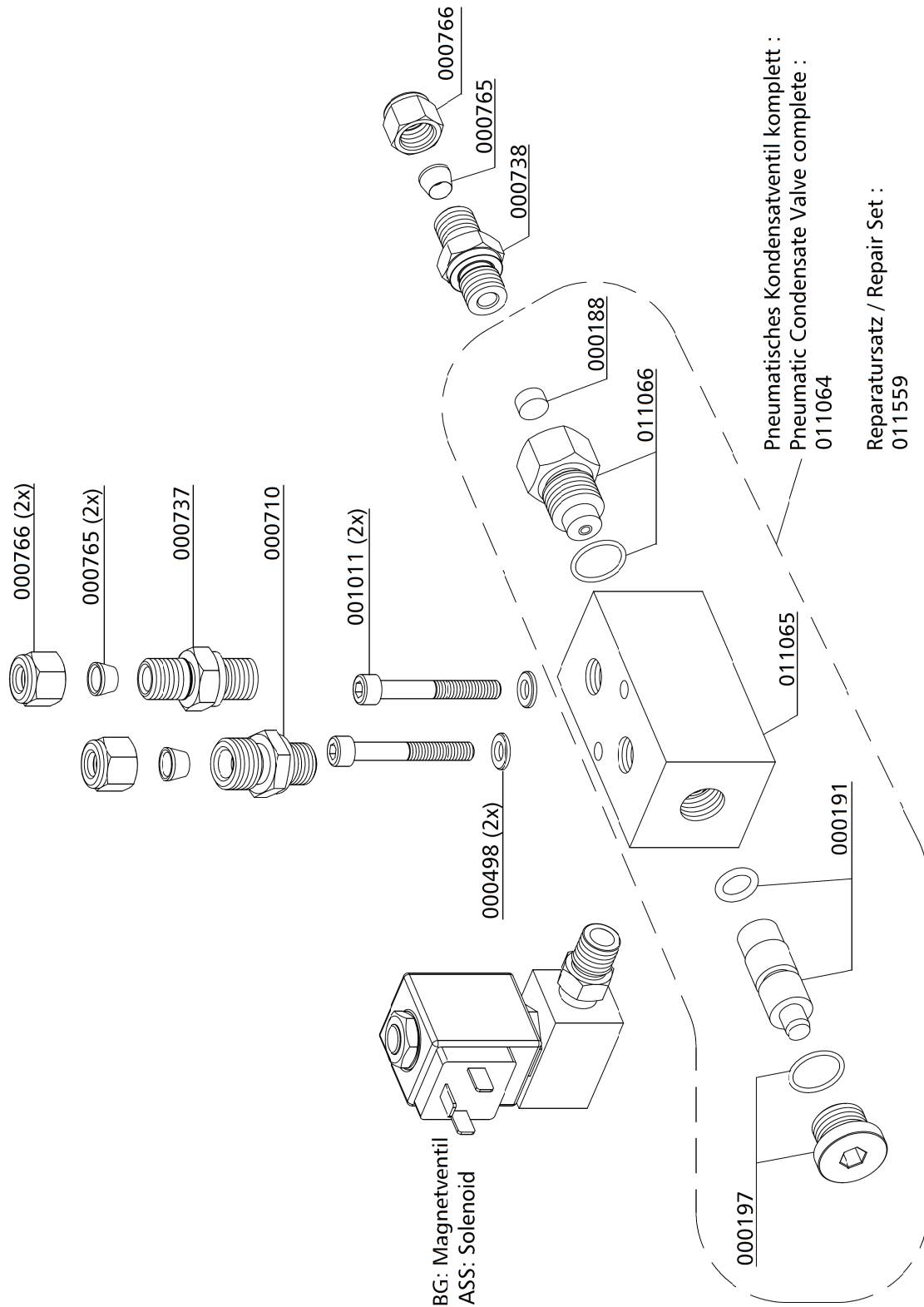
Pneum. Kondensat-Ablassventil / Pneumatic Condensate Valve

| Best.-Nr. / Order No. | Benennung | Description |
|-----------------------|---------------------------------------------------|----------------------------------|
| 000188 | Sinterfilter | Sintered Filter |
| 000191 | Steuerkolben, pneum. Kondensatventil | Piston |
| 000194 | Reparatursatz pneum. Kondensatventil | Repair Kit Condensate Valve |
| 000196 | Düsenschraube, pneum. Kondensatventil | Inlet Jet Screw |
| 000197 | Stopfen, pneum. Kondensatventil | Plug |
| 000198 | Gehäuse, pneum. Kondensatventil | Body PCV |
| 000199 | Pneum. Kondensatventil (Kondensatablassventil) | Pneumatic Condensate Valve |
| 000498 | U-Scheibe DIN 125 A6 | Washer DIN 125 A6 |
| 000710 | Verschraubung GE06L | Connection GE06L |
| 000737 | Verschraubung GE08LR1/8CFX | Connection GE08LR1/8CFX |
| 000738 | Verschraubung GE08LR1/8CFX | Connection GE08LR1/8CFX |
| 000765 | Schneidring PSR 08 LX | Olive Seal PSR 08 LX |
| 000766 | Mutter M08LCFX | Union Nut M08LCFX |
| 001011 | Zylinderschraube M6x60mm DIN912 8.8 ZN | Allen Bolt M6x60mm DIN912 8.8 ZN |

C

DETAILANSICHT / DETAILED VIEW

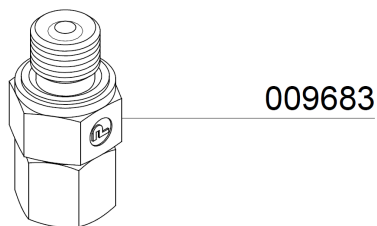
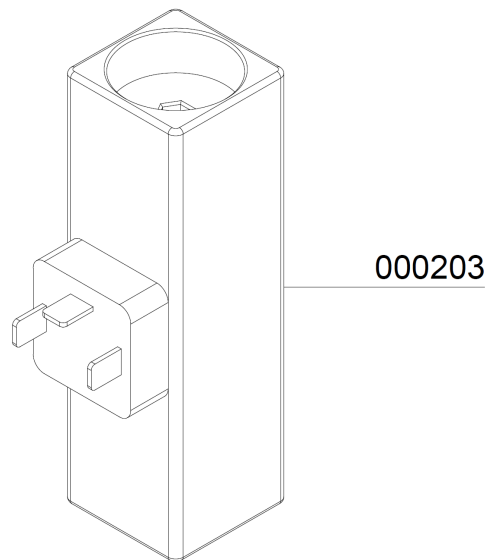
Pneum. Kondensat-Ablassventil / Pneumatic Condensate Valve



Druckschalter / Pressure Switch

| Best.-Nr. / Order No. | Benennung | Description |
|-----------------------|--------------------------------------------------------|-------------------------------------------------|
| 000203 | Druckschalter 50-350 bar | Pressure Switch 50-350 bar |
| 009683 | Verschraubung, mit fester Mutter EGE 08L RED / G1/4 | Connection with fixed nut EGE 08L RED / G1/4 |

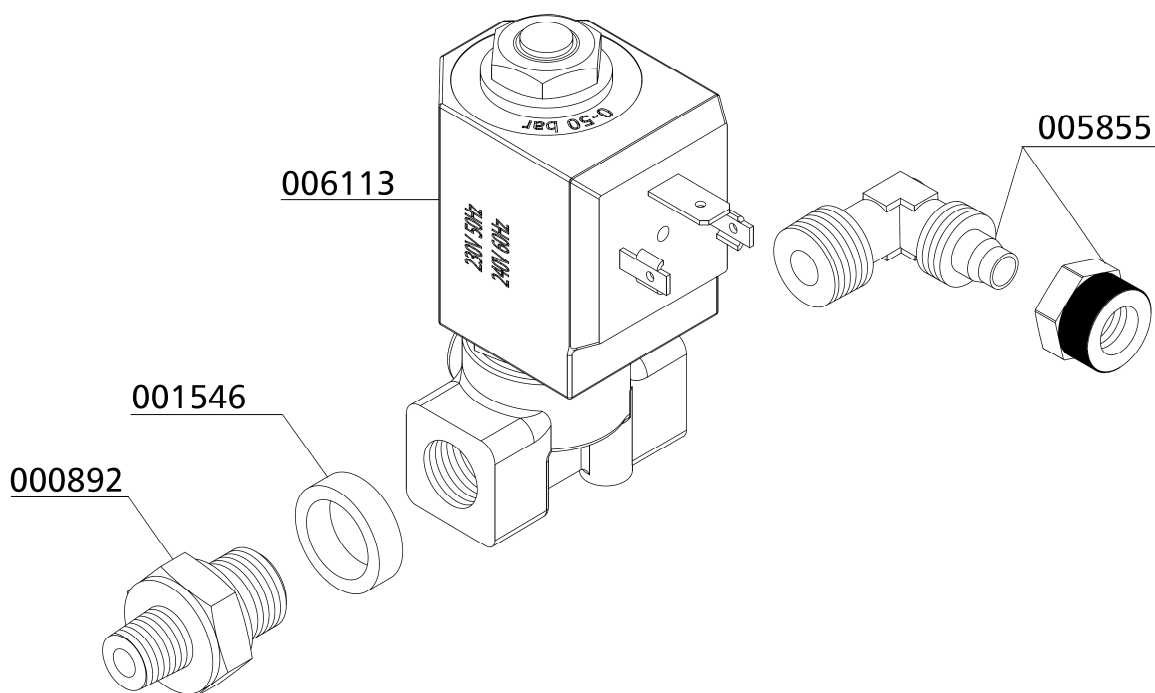
C



Magnetventile / Solenoid Valves

| Best.-Nr. / Order No. | Benennung | Description |
|-----------------------|------------------------------------------------------------|----------------------------------------------------------|
| 000892 | Doppelnippel 4F3MK4S G1/8"-1/4" | Double Nipple 4F3MK4S G1/8"-1/4" |
| 001546 | Aludichtring für Magnetventile G1/4", 18 x 13,2 x 2,5mm | Alloy Seal Ring for solenoid G1/4", 18 x 13,2 x 2,5mm |
| 005855 | Winkeleinschraubverschraubung, G1/4" - 8 mm | Elbow Hose Connection, G1/4" - 8 mm |
| 006113 | Magnetventil 0-55bar, komplett mit Spule | Solenoid 0-55bar, c/w coil |

C





ERSATZTEILLISTE / SPARE PART LIST

Sicherheitsventil / Safety Valve

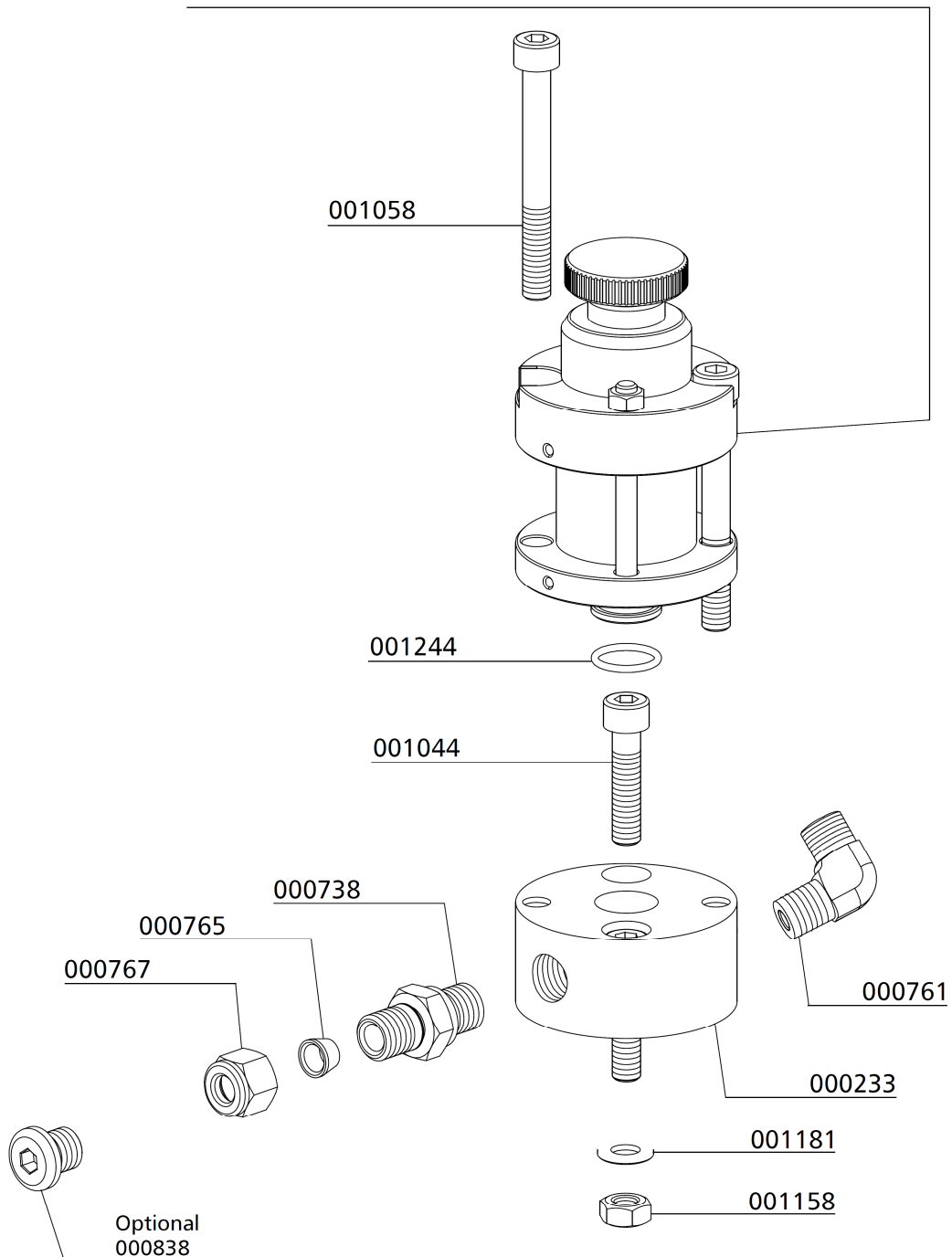
| Best.-Nr. / Order No. | Benennung | Description |
|-----------------------|-------------------------------------------------------------|--------------------------------|
| 000233 | Sockel für Sicherheitsventil mit TÜV, x G1/4" seitlich 180° | Base for Safety Valve TÜV type |
| 000553 | Sicherheitsventil 225bar mit TÜV | Safety Valve 225bar c/w TÜV |
| 000554 | Sicherheitsventil 250bar mit TÜV | Safety Valve 250bar c/w TÜV |
| 000555 | Sicherheitsventil 300bar mit TÜV | Safety Valve 300bar c/w TÜV |
| 000556 | Sicherheitsventil 330bar mit TÜV | Safety Valve 330bar c/w TÜV |
| 000557 | Sicherheitsventil 350bar mit TÜV | Safety Valve 350bar c/w TÜV |
| 000761 | Winkelverschraubung WE08LRA3CX | Elbow Connection WE08LRA3CX |
| 000838 | Verschlussstopfen VSTIR1/4EDCF | Plug VSTIR1/4EDCF |
| 001044 | Zylinderschraube, M8x40mm DIN912 | Allen Bolt |
| 001058 | Zylinderschraube, M8x70mm DIN912 | Allen Bolt |
| 001158 | Mutter, M8 DIN934 | Nut |
| 001181 | U-Scheibe, A8 DIN125 | Washer |
| 001244 | O-Ring, Flansch Sicherheitsventil | O-Ring, Flange Safety Valve |
| 001814 | Sicherheitsventil 225bar mit CE | Safety Valve 225bar with CE |
| 001815 | Sicherheitsventil 250bar mit CE | Safety Valve 250bar with CE |
| 001816 | Sicherheitsventil 330bar mit CE | Safety Valve 330bar with CE |
| 001817 | Sicherheitsventil 350bar mit CE | Safety Valve 350bar with CE |

C

DETAILANSICHT / DETAILED VIEW

Sicherheitsventil / Safety Valve

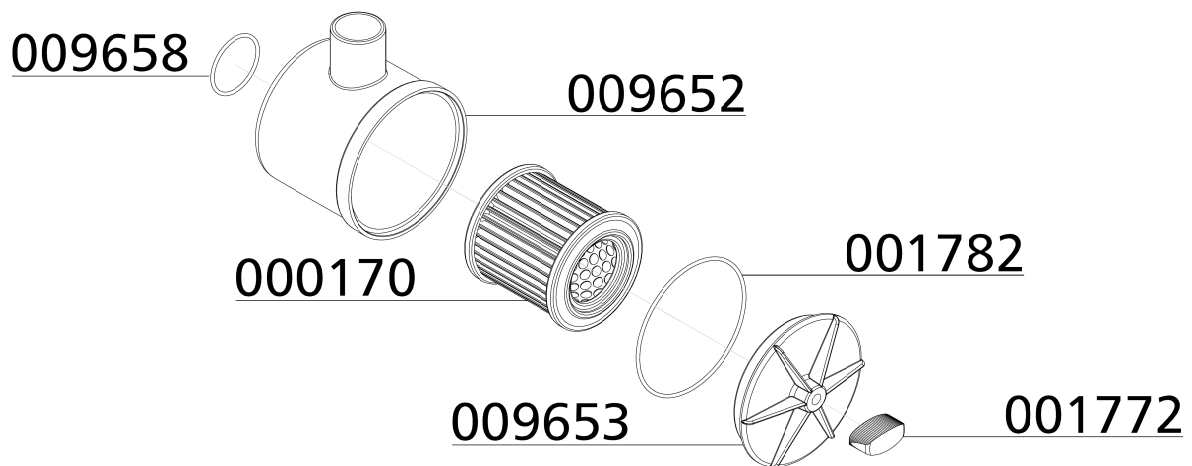
| Druck | SV-Ventil mit CE-Prüfung | SV-Ventil mit TÜV-Prüfung |
|-------------|--------------------------|---------------------------|
| 225 bar | 001814 | 000553 |
| 250 bar | 001815 | 000554 |
| 285/300 bar | ----- | 000555 |
| 330 bar | 001816 | 000556 |
| 350 bar | 001817 | 000557 |



C

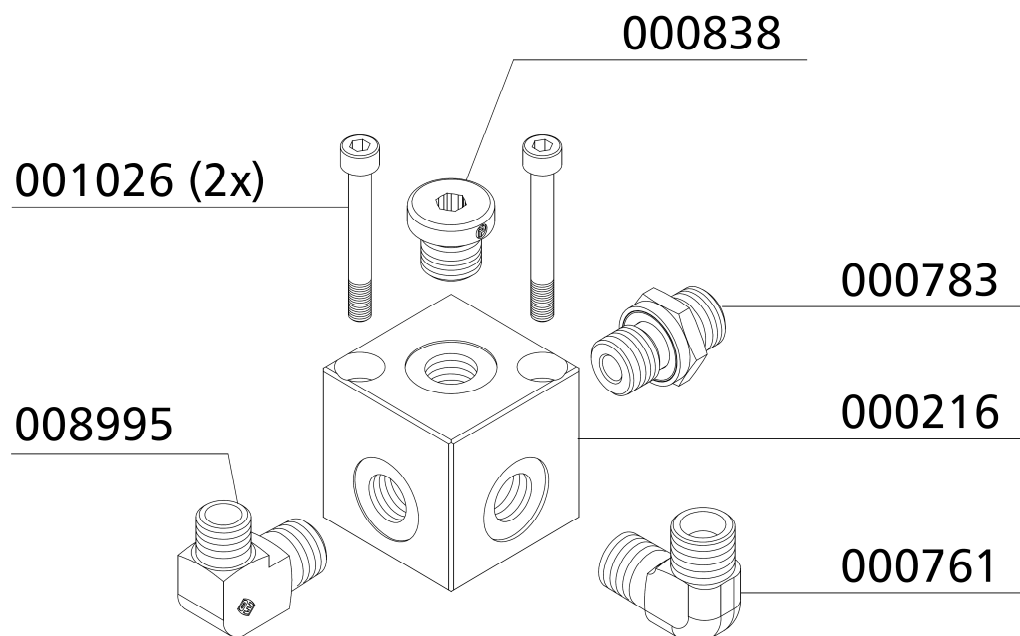
Ansaugfilter / Intake Filter

| Best.-Nr. / Order No. | Benennung | Description |
|-----------------------|-------------------------------------------|-------------------------------|
| 000170 | Ansaugfilterpatrone | Air Intake Filter Cartridge |
| 001772 | Flügelmutter, PVC-schwarz | Winged Nut, PVC black |
| 001782 | O-Ring, Ansaugfiltergehäuse, 80 x 2 NBR70 | O-Ring, Intake Filter Housing |
| 009652 | Gehäuse für Ansaugfilter | Intake Filter Housing |
| 009653 | Deckel für Ansaugfilter | Cover Intake filter housing |
| 009658 | O-Ring, 33x2 NBR70 | O-Ring |



Verteilerklotz / Dispacher Block

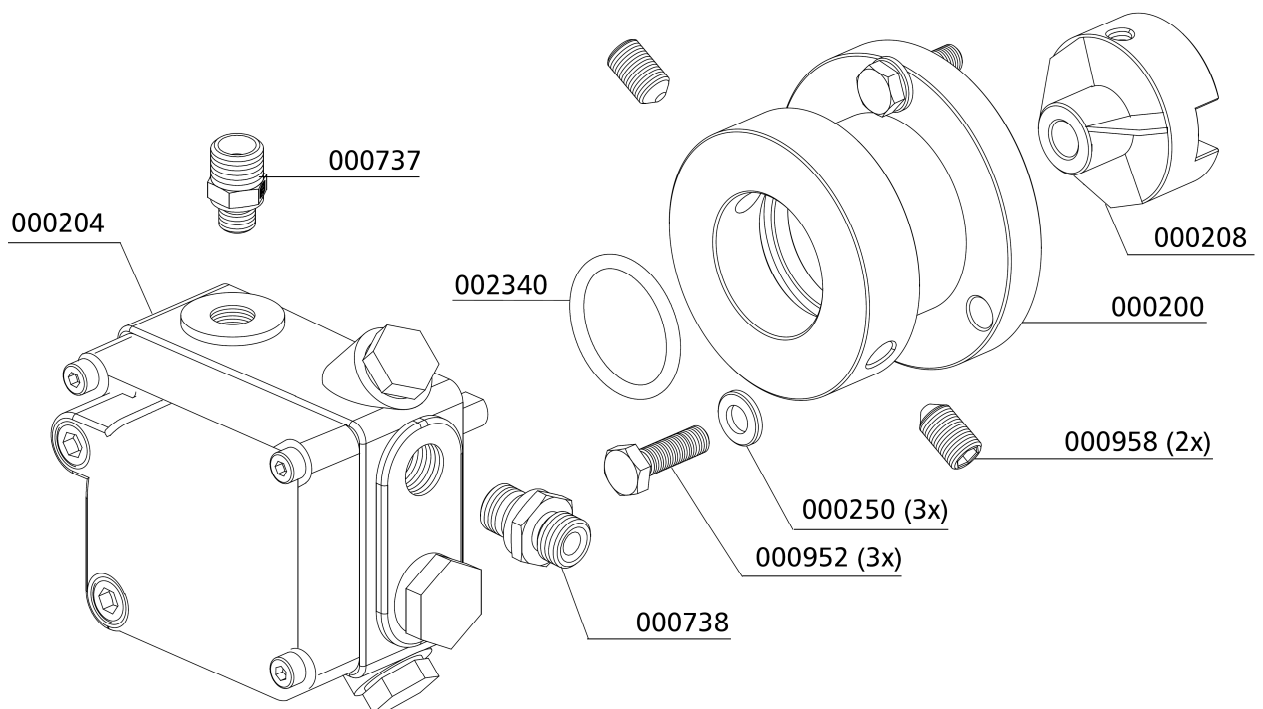
| Best.-Nr. / Order No. | Benennung | Description |
|-----------------------|--------------------------------------|---------------------|
| 000216 | Halteklotz, 40 x 40 x 40mm, 3 x G1/4 | Alloy Fixing Block |
| 000761 | Winkelverschraubung, WE08L1/4" | Elbow Connection |
| 000783 | Gerade Verschraubung, GE10L - R1/4" | Straight Connection |
| 000838 | Verschlussstopfen, VSTIR1/4EDA3C | Plug |
| 001026 | Zylinderschraube M6x40 | Allen Bolt M6x40 |
| 008995 | Winkelverschraubung, WE06LR1/4" | Elbow Connection |



ERSATZTEILLISTE / SPARE PART LIST

Ölpumpe / Oil Pump

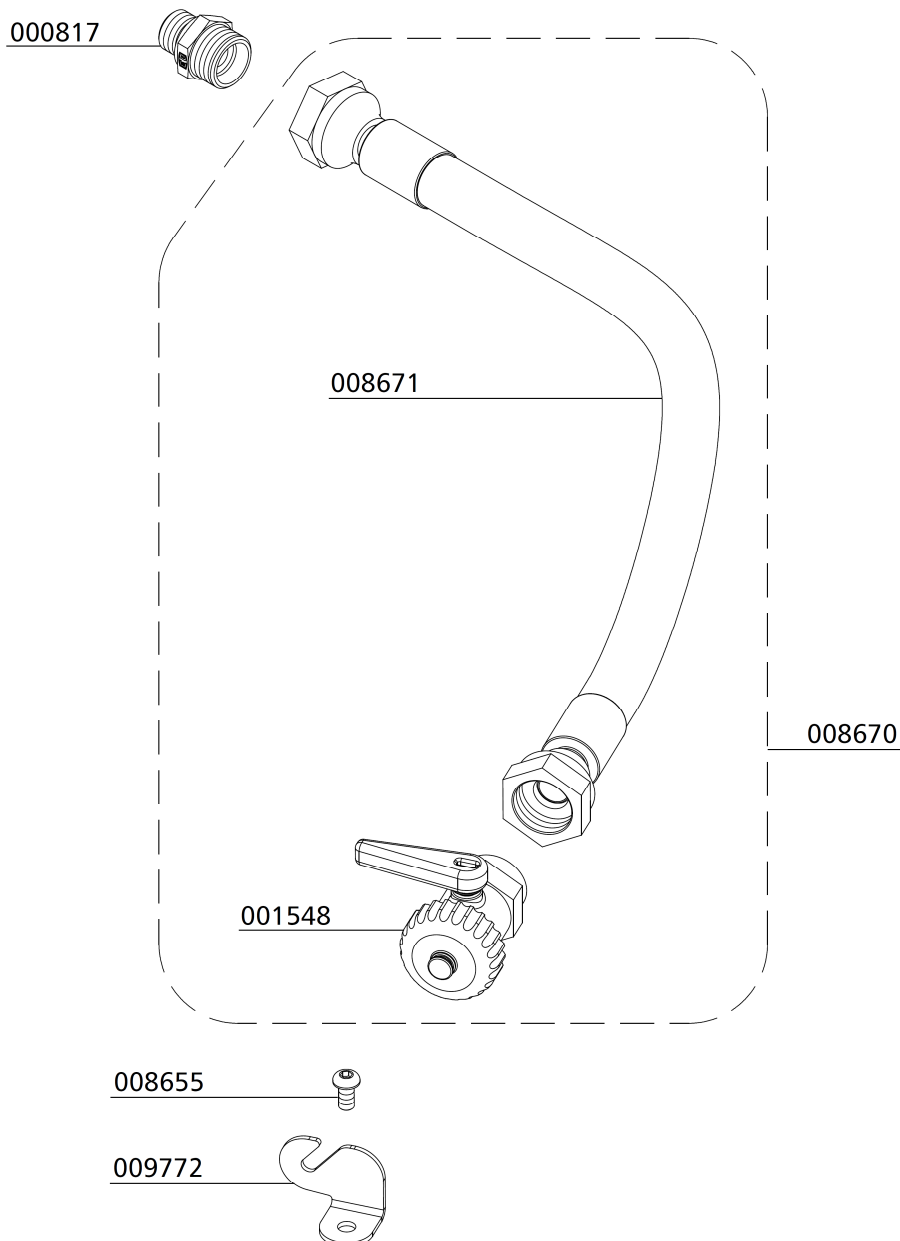
| Best.-Nr. / Order No. | Benennung | Description |
|-----------------------|----------------------------------------|---------------------------------------------|
| 000200 | Ölpumpenhalteflansch | Adapter Flange Oil Pump |
| 000204 | Ölpumpe, kompl. | Oil Pump compl. |
| 000208 | Ölpumpenantriebsflansch | Drive Flange Oil Pump |
| 000250 | CU-Ring Ø6,2 x 10 x 1,5mm DIN7603A | Copper Washer Ø6,2 x 10 x 1,5mm DIN7603A |
| 000737 | Verschraubung GE08LR1/8CFX | Connection GE08LR1/8CFX |
| 000738 | Verschraubung GE08LR1/8CFX | Connection GE08LR1/8CFX |
| 000952 | Sechskantschraube M6X20mm, DIN933, 8.8 | Hexagon Bolt M6X20mm DIN933, 8.8 |
| 000958 | Gewindestift M8x16mm DIN914, 5.8 ZN | Worm Screw M8x16mm DIN914 5.8 ZN |
| 002340 | O-Ring Ölpumpenflansch 32,2x3 NBR70 | O-Ring, oil pump flange 32,2x3 NBR70 |



ERSATZTEILLISTE / SPARE PART LIST

Ölablassschlauch - Oil Drain Hose

| Best.-Nr. / Order No. | Benennung | Description |
|-----------------------|---------------------------------------------------------------|-------------------------------|
| 000817 | Verschraubung, GE15LR3/8CFX | Connection |
| 001548 | Ölablassventil (Kugelhahn) | Oil Drain Valve - ball valve |
| 008670 | Ölablassschlauch inkl. Kugelhahn | Oil drain hose c/w ball valve |
| 008671 | Ölablassschlauch | Oil drain hose |
| 008655 | Linsenflanschschraube mit Innensechskant, M6x12 mm, DIN 7380F | Flange Button Head Screw |
| 009772 | Halter Öl-Ablassschlauch | Holder Oil drain hose |





ERSATZTEILLISTE / SPARE PART LIST

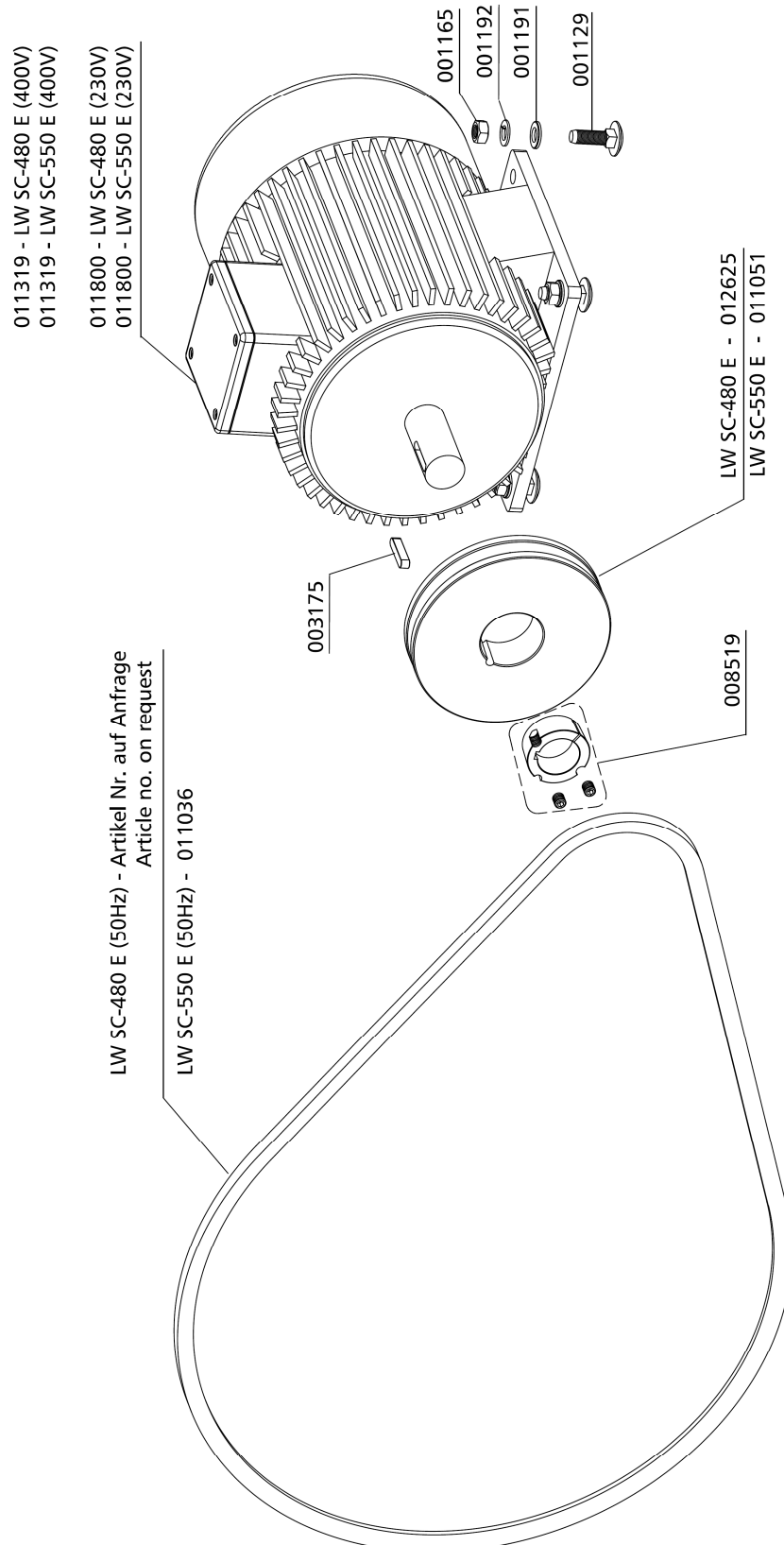
Motor / Motor

| Best.-Nr. / Order No. | Benennung | Description |
|-----------------------------------|-------------------------------------------------------|--------------------------------|
| 001129 | Schlossschraube M12x40mm DIN603 8.8 ZN | |
| 001133 | Sechskantschraube, M12x30mm DIN933 | Hexagon Bolt |
| 001165 | Mutter M12 | Nut M12 |
| 001191 | U-Scheibe A12 | Washer A12 |
| 001192 | Federring A12 | Spring Washer A12 |
| 003175 | Passfeder (Motor) LW 300/450 | Woodruff Key (motor) |
| 005122 | U-Scheibe Kurbelwelle, 12,5x34,5x4,5mm, DIN 6340 | Washer, crank shaft |
| 008519 | Spannbuchse für Riemenscheibe Ø 38 mm | Pulley Clamp Bush Ø38 mm |
| 011036 | Keilriemen, XPB 1800 | V-Belt |
| 011051 | Riemenscheibe, ohne Spannbuchse für XPB Keilriemen | Pulley without taper bush |
| 011319 | Antriebsmotor 11 kW / 400V, 50/60Hz | Drive motor 11kW 400V(50/60Hz) |
| 011800 | Antriebsmotor 11 kW / 230V 50/60Hz | Drive Motor 11kW 230V 50/60Hz |
| 012625 | Riemenscheibe XPB 112-1, o. Spannbuchse | Pulley XPB 112-1, w/o hub |
| Nr. auf Anfrage No. on Request | Keilriemen, XPB 112-1 | V-Belt |

C

DETAILANSICHT / DETAILED VIEW

Motor / Motor





ERSATZTEILLISTE / SPARE PART LIST

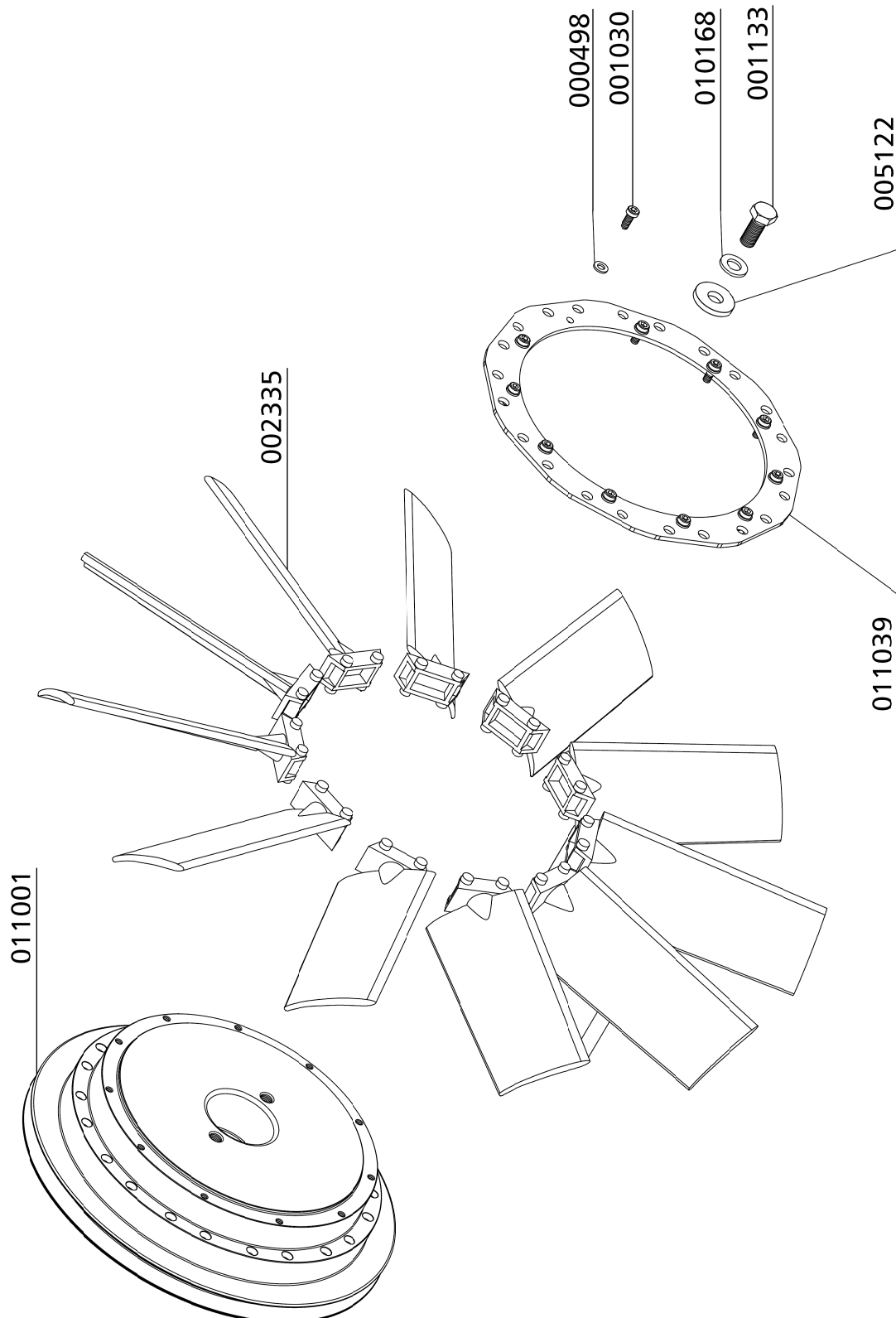
Lüfterrad / Cooling Fan

| Best.-Nr. / Order No. | Benennung | Description |
|-----------------------|--------------------------------------------------|-----------------------------------|
| 000498 | U-Scheibe A6 | Washer A6 |
| 001030 | Zylinderschraube, M6x16mm DIN912 8.8 ZN | Allen Bolt, M6x16mm DIN912 8.8 ZN |
| 001133 | 6-kant Schraube, M12x30mm DIN933 | Hexagon Bolt M12x30 |
| 002335 | Ventilatorflügelblatt, schwarz | Fan Blade, black, new version |
| 005122 | U-Scheibe Kurbelwelle, 12,5x34,5x4,5mm, DIN 6340 | Washer, crank shaft |
| 010168 | Zahnscheibe A12 | Lock Washer A12 |
| 011001 | Schwungrad XPB-1, LW 450 | Flywheel XPB-1, LW 450 |
| 011039 | Zentrierring, Lüfterblätter, LW 450 | Fixing Ring Fan Blades, LW 450 |

C

DETAILANSICHT / DETAILED VIEW

Lüfterrad / Cooling Fan





ATTACHMENT

E

Lenhardt & Wagner GmbH

**An der Tuchbleiche 39
D-68623 Lampertheim – Hüttenfeld**

www.lw-compressors.com



Operating Instruction

Safety valve

Typ:

SiV2 BKZ TÜV.SV.19-1140.5.G.V.P CE 0091 AlMgSi1 F31 1100* Lenhardt & Wagner

| | |
|-------------------------|----------------------------------------------------------------------------------|
| Set pressure: | see mark (hand wheel on top of valve) |
| Maximum outflow: | Set pressure 100-159 bar: 750 l / min Set pressure 160-350 bar: 1.100 l / min |
| Suitable media: | Media-resistant, non-corrosive gases |

The safety valve is used for protection of pressurized components, eg pipelines, pressure vessels, or the compressor itself.

The hand wheel on the top of the safety valve is marked with the adjusted set pressure.



- 1) *Identification of set pressure*
- 2) *Seal*
- 3) *Fixing screws¹*
- 4) *Venting screw (hand wheel)*
- 5) *Identification serial number*
- 6) *Socket for safety valve*

Safety valve with socket

¹ The fixing screws M8 must be strength class 8.8 and meet the requirements of Merkblatt AD 2000 leaflet W7. Shaft length 70mm.

In order to prevent manipulation of the set pressure, all safety valves are factory fitted with a seal.

A safety valve on which the seal has been removed, must be returned to the manufacturer for repair / adjustment before further use.

In addition, the safety valve has a venting device (hand wheel).

When rotated clockwise, the safety valve and the filter housing of the final stage are completely vented.

During normal operation, the screw is unscrewed to the upper stop anticlockwise; an integrated safety ring prevents the screw from being removed.

If a safety valve blows off, the system must be switched off immediately and the cause of the error, investigated.

There are two possible reasons:

1. The safety valve is defective and blows off before the set pressure.

In this case the safety valve should be submitted immediately to the manufacturer for repair or replaced with a new one.

2. The safety valve opens properly, the problem is on the system.

A constant blowing of the safety valve is not permitted, the sealing seat of the valve can be damaged. The error on the system must be detected and repaired before further filling operations.

The safety valve may only be used if it is ensured that the maximum flowrate of the system does not exceed the blow-off rate of the safety valve.

The safety valve may only be used with the approved media.

Repair work on compressors must only be performed by trained personnel.

Dismantling of the safety valve

Ensure that on the safety valve is no pressure.

Loosen and remove the two M8 fixing bolts with a 6 mm Allen key.

The safety valve can now be removed by turning and simultaneously pulling out of the socket.

Mounting

1. Clean the safety valve socket.

2. Oil the insert pin of the safety valve including the O-ring with 1 to 2 drops of oil.

3. Press the safety valve pin complete into the socket.

4. Fasten the safety valve with the two 8 mm allen screws into the socket

(Tightening torque: 10 Nm)

5. Screw the venting screw (hand wheel) anticlockwise to its upper limit.

6. Start the System (Compressor), check installation for leaks and proper function.

Manufacturer: Lenhardt & Wagner GmbH
An der Tuchbleiche 39
D-68623 Lampertheim – Hüttenfeld

Contact: E-Mail: service@lw-compressors.com
Web: www.lw-compressors.com
Tel.: +49 (0) 6256 – 85880 0
Fax: +49 (0) 6256 – 85880 14

Note:

*Only use safety valves which are in a technically perfect condition, for its intended purpose, safety and danger awareness, in compliance with the operating instructions!
Faults which could affect safety must be rectified immediately!*

Notes:

- The safety valve must be installed directly on the protected pressure vessel and / or the plant.
 - The safety valve must be installed in an upright position.
 - The flow area of the port must be greater than the valve opening.
 - Protect valve against splashes
-

Maintenance:

- In accordance with current Pressure Equipment Directives, the safety valve must be periodically checked for operation and reliability.
- Refill annually lubricating oil:
Oil filling position:
Hole on the spacer (see arrow, Figure 1)
- Oil quantity: 5-10 drops



Figure 1: Position for oil refill

To be used lubricating oil for the safety valve: L&W Article N°. 008500



INFORMATION ON THE
SERVICE LIFE OF
L&W HIGH PRESSURE HOSES





CONTENTS

| | |
|--------------------------------------------------------|---------|
| Testing hose lines | |
| Testing hose lines | 3 |
| Testing after assembly and before commissioning | 3 |
| Recurring test | 4 |
| Procedure for hose lines found to be "defective" | 4 |
| Test intervals | 4 |
| Persons qualified to test hose lines | 5 |
| Maintenance | |
| Replacing hose lines | 6 |
| Immediate replacement of hose lines | 6 |
| Service life | |
| Service life of L&W high pressure hoses | 7 |
| Storage | |
| Storing hose lines | 8 |
| Annex | |
| Scope of testing, test criteria | 10 - 11 |



TESTING HOSE LINES

Testing hose lines

An essential factor in ensuring operational safety when handling L&W compressors is the proper testing of the hose lines used.

Tests are necessary:

- After assembly and before commissioning the hose line.
- After accidents, changes (modifications) to the compressor system, longer periods of non-use and damage due to, for example, collisions or natural phenomena (extraordinary test).
- After carrying out repair work on the compressor system that could compromise safety.
- Recurrently at fixed, regular intervals.

The proprietor must determine the type, scope and deadlines for the tests according to his or her individual operating conditions and on the basis of a risk assessment. **The specifications and recommendations of the manufacturer must be observed.** The specifications made regarding type, scope and deadlines (as well as the replacement intervals) must be documented in writing as occupational health and safety measures.

The results of the tests must also be recorded, e.g. together with the test report of the machine, and kept at least until the next test.

The above-mentioned tests may only be carried out by persons who are qualified to do so and who are authorized by the company (employer).

Testing after assembly and before commissioning

In the test after assembly and before commissioning, factors relating to assembly or factors that can only be evaluated on the fully assembled machine must be assessed.

The assembled hose lines must also be assessed.

Some test points can already be assessed during a visual inspection when the machine is switched off.

An overview of the recommended scope of testing for a visual inspection of hose lines is given in the appendix.

Further test points included in the test of hose lines before commissioning, require a functional test with the machine running.

A recommendation for the scope of testing is given in the appendix.



TESTING HOSE LINES

Recurring test

Since hose lines are subject to influences that cause damage during operation and can lead to dangerous situations, they must be tested recurrently at fixed intervals. The aim of recurring tests is to detect and repair damage in good time.

The objective is to ensure that the system remains in a safe condition.

Procedure for hose lines found to be "defective"

If defects are found during the testing of the hose line that impair the safe condition of the work equipment, these must be rectified immediately. If this is not possible, suitable measures must be taken to ensure that the machine cannot be used further before it is repaired. Defective hose lines must be replaced before the machine can be used further.

It is not permitted to repair or reassemble damaged hose lines with old, previously used parts!

If several hose lines are replaced at the same time, precautions must be taken to prevent mix-ups of the connections or the installation points.

Test intervals

Deadlines for the recurring tests of the hose lines should already be set before commissioning.

Otherwise, there is a risk that work equipment will continue to be used or operated for too long without being tested.

The intervals between the recurring tests must be selected in such a way that deviations from the safe operating condition of work equipment can be detected and eliminated in good time.

The intervals for recurring tests specified here are guidelines and based on experience. Shorter test intervals may have to be specified on the basis of the risk assessment; special operating conditions; or according to the manufacturer's specific instructions in the machine operating manual. Longer test intervals may also be specified, provided that this is justifiable and tenable from a safety point of view. The determination of the test intervals should be documented.

| Type of test | Recommended test intervals |
|---------------------|------------------------------------------|
| Visual inspection | Before commissioning the system |
| Functional test | Annually with previous visual inspection |



Persons qualified to test hose lines

A qualified person is a person who, through his or her professional training, professional experience and recent professional activity, has the necessary specialist knowledge required for testing work equipment - in this case for testing hose lines.

These requirements are defined in the Technical Rules for Industrial Safety TRBS 1203

"Qualified persons - general requirements" fulfilled if:

- the qualified person has completed a professional training that enables his or her professional knowledge to be determined in a comprehensible manner, i.e. based on professional qualifications or comparable evidence. For the testing of hose lines, the person concerned must have completed a technical professional training or another technical qualification sufficient for the intended testing tasks. The object is to guarantee that the tests will be carried out properly.
- proof of practical use at work of the equipment to be tested as well as the associated professional experience is provided. The qualified person must be sufficiently familiar with the conditions that demand the performance of tests, such as the result of the risk assessment or observations during the working day.
- there is proof of recent professional activity in the area of the upcoming tests and appropriate further training. The qualified person must also have gained experience with regard to the tests to be performed or comparable tests. He or she must also have knowledge of the state of the art with regard to the work equipment or components to be tested as well as the hazards to be considered. This also includes knowledge of the relevant technical regulations and the updating of this knowledge, e.g. through participation in training courses/instruction.

The qualified person is not subject to any technical instruction during the course of his or her testing activity and must not be disadvantaged because of this.

Experts who have carried out tests on the hose lines up to now and who meet the three criteria mentioned above and who have familiarized themselves with the contents of the German Ordinance on Industrial Safety and Health and the changes associated with it are also considered qualified persons to whom the tests can continue to be assigned.

See also:

- ⇒ § 2 para. 7 of the German Ordinance on Industrial Safety and Health,
- ⇒ Technical Rules for Operational Safety TRBS 1203.



Replacing hose lines

As a general rule, even when stored properly and subjected to permissible stress during use, all hose lines are subject to natural aging, which changes the material and composite properties and reduces the performance of the hose lines.

This limits the service life of a hose line and the operator must ensure that hose lines are replaced at appropriate intervals.

Immediate replacement of hose lines

Hose lines must be replaced immediately in the event of the following defects:

- External visible damage to the hose line or fittings.
- Internal damage to the tube or the reinforcement.
- Leakage from the hose line or the fittings.
- Deformation of the hose line or the fittings.



Service life of L&W high pressure hoses

When determining the service life or the replacement interval of the individual hose lines, the concrete specifications and recommendations of the hose line or machine manufacturer must be observed. Furthermore, empirical values resulting from previous tests done under the prevailing operating conditions on site are also relevant.

Guideline values for recommended replacement intervals of hose lines which have proven themselves in practice are summarized below.

| Hose line requirements | Recommended replacement intervals |
|---------------------------------------------------------------------------------------------------------------------------------------------------------------------------------------------------------------------------------------------------------------------------|-----------------------------------------------------------------------|
| Standard requirements | 6 years (Service life including a maximum of 2 years storage time) |
| Increased requirements, e.g. due to - increased operating time, e.g. multi-shift operation, or short machine or pressure pulse cycle times - strong external and internal influences (due to the medium), which greatly reduce the service life of the hose line | 2 years (service life) |

The guideline given above for a replacement interval of six years for hose lines meeting normal requirements includes a maximum storage period of two years. The guideline value of two years for hose lines meeting increased requirements represents the maximum permissible service life.

A prolongation of the guideline values given above for replacement intervals is possible if

- appropriate test values and empirical values are available from the operator of the machine which permit safe continued use beyond the recommended maximum service period,
- a hazard or risk assessment, documented in writing, has been carried out by the operator, which also takes into account protective measures in the event of failure of hose lines, and
- tests for safe working conditions are carried out by qualified persons at appropriately set, if necessary reduced, intervals.

It must be ensured that the prolongation of the replacement intervals does not result in a dangerous situation that could injure employees or other persons.

If hose lines fail during operation or if damage or defects are frequently detected during the recurring tests, then, in addition to investigating the causes, the test and replacement intervals must be shortened.



STORAGE

Storing hose lines

When storing hose lines, storage conditions must be aimed at minimizing the natural aging that occurs over time and the associated change in material and composite properties.

For this purpose, the following information must be provided:

- Store in a cool, dry and low-dust place.
Low-dust storage can be achieved, for example, by wrapping the hoses in plastic film.
- Avoid direct sun or UV radiation.
- Shield from nearby heat sources.
- Avoid storage temperatures below -10 °C for elastomers.
- Do not use ozone-generating light fittings or electrical devices that may produce sparks in the immediate vicinity.
(Ozone-generating light fittings are, for example, fluorescent light sources, mercury vapor lamps).

The most favorable storage conditions are temperatures between +15 °C and +25 °C, as well as a relative humidity below 65 %.

During storage, hose lines must not come into contact with substances that could cause damage, e.g. acids, alkalis, solvents. Penetration of ozone or other harmful air constituents can be prevented by sealing the ends or by wrapping the hoses in plastic film. They must be stored flat and free of tension.

The storage period for hose lines should not exceed two years.



ANNEX



ANNEX SCOPE OF TESTING; TEST CRITERIA

Recommended scope of testing "visual inspection" (before initial commissioning or recommissioning)

- Is all user information required for safe operation of the system available (e.g. flow chart, operating instructions)?
- Do the hose lines comply with the flow chart or parts list?
- Are there protective measures in place, such as pressure relief valves, for cases of unusually high pressure pulses or pressure amplifications?
- Are the hose lines marked with the name or abbreviation of the manufacturer, maximum permissible operating pressure, nominal diameter, quarter/year of manufacture?
- Are the hose lines installed in such a way that, in accordance with DIN 20 066
 - the natural position does not hinder movement?
 - turning or twisting of the hose is prevented, likewise tensile load caused by a line that is too short and a bending radii that is too small?
 - the hose is routed via a kink protector (if necessary on the connecting element)?
 - sufficient clearance prevents external mechanical influences or abrasion on the edges?
 - hose bridges prevent damage being caused by driving over the hose line?
 - hose guides (such as hose saddles and sufficiently wide hose brackets) protect loosely laid hose lines and
 - a heat shield protects against high temperature exposure?
- Are suitable protective measures, such as fixtures, safety gear or shielding provided for hose lines that, in the event of failure, pose a risk of whipping?
A risk is to be assumed if persons are generally present in the immediate vicinity of the hose lines, for example.
- Do the hose lines of newly commissioned or re-commissioned machines already show signs of damage?
- Are the installed hose lines still within the storage/use period recommended by the relevant manufacturer?
- Are the hose lines free of paint?
- Are the hose lines free of chafe marks?
- Does the operating manual contain information on test intervals? If so, what?

Note:

The installed hose lines should not be made from used hoses or used press fittings that have already been in use as part of a hose assembly!



ANNEX SCOPE OF TESTING; TEST CRITERIA

Recommended scope of testing "Functional test" (before initial or recommissioning)

Note:

Visual inspection must be carried out before the functional test

- All parts of the system must be tested at least at the maximum working pressure that could be achieved taking into account all intended applications:
 - Are the hose lines and connecting elements free of leakage?
 - Have all hose lines withstood the pressure?

Note:

The installed hose lines should not be made from used hoses or used press fittings which have already been in use as part of a hose assembly!